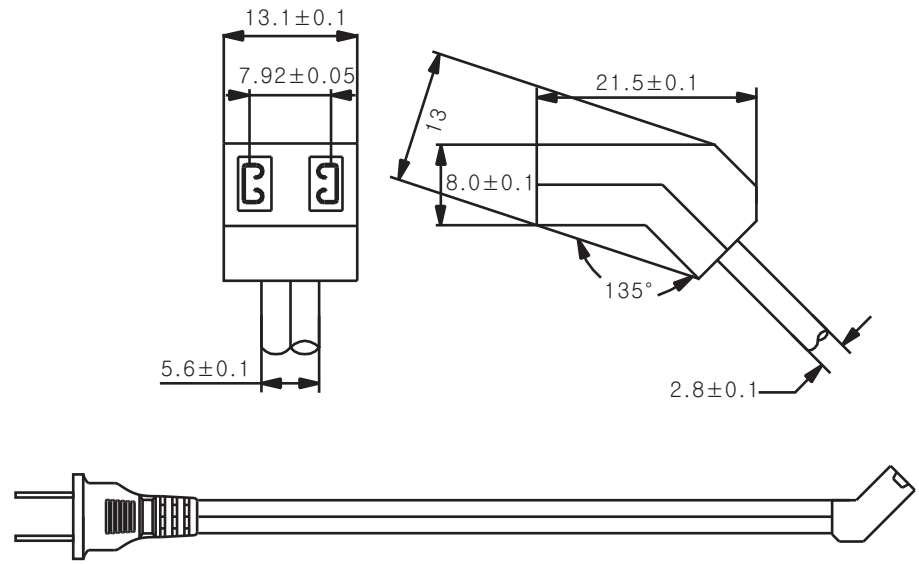


1 2 3 4 5 6 7 8 9 10


A
B
C
D
E
F
G
H
I
J



Part Number	Cord Length	
	mm	inch
FPC-V12P	305	12
FPC-V24P	610	24
FPC-V36P	915	36
FPC-V48P	1220	48
FPC-V60P	1525	60
FPC-V72P	1830	72
FPC-V84P	2130	84
FPC-V96P	2440	96
FPC-V108P	2745	108
FPC-V120P	3050	120

Specifications:

- * UL Listed-CSA approved.
- * Cordage:
SPT-1(2) conductor black 105C volt
- * 45° Style connector (V Type).

TITLE	PART DRAWING	REV	CHANGES	BY/DATE	APPD/DATE
PART NAME		COOLTRON INDUSTRIAL SUPPLY, INC. 			
PART NO.		FPC-VXXP			
MODEL NO.		LINEAR (0,50] ±0.10 ±0.05 (50,100] ±0.20 ±0.10 (100,+∞) ±0.30 ±0.15		ANGLUAR X. ±0.5° X.X ±0.1°	
APPD.	DATE	PROJECTION:		UNIT	MM
CHECK	DATE	SCALE		QTY/U	
DRAWING	TONY	DATE	8/10/2007	FINISH	DWG NO. REV