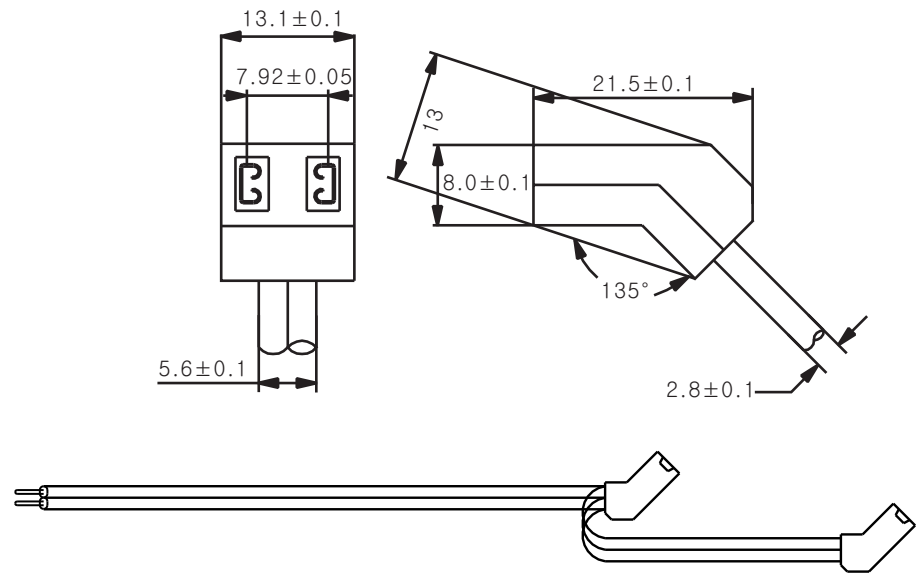


1 2 3 4 5 6 7 8 9 10

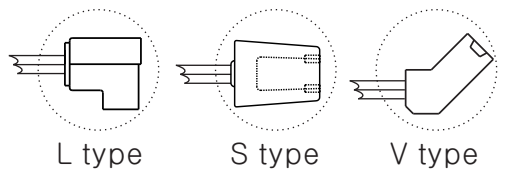
A
B
C
D
E
F
G
H
I
J



Part Number	Cord Length	
	mm	inch
FPC-V12W-7D2	305	12
FPC-V24W-7D2	610	24
FPC-V36W-7D2	915	36
FPC-V48W-7D2	1016	48
FPC-V60W-7D2	1270	60
FPC-V72W-7D2	1830	72
FPC-V84W-7D2	2130	84
FPC-V96W-7D2	2440	96
FPC-V108W-7D2	2745	108
FPC-V120W-7D2	3050	120

Specifications:

- * UL Listed-CSA approved.
- * Blunt cut end (terminated or stripped & tinned available).
- * 45° Style connector (V Type).
- * Additional connectors: 2 to 12.
- * Available types of connector:



L type S type V type

TITLE	PART DRAWING	REV	CHANGES	BY/DATE	APPD/DATE
PART NAME	FAN POWER CORD	COOLTRON INDUSTRIAL SUPPLY, INC. 			
PART NO.	FPC-VXXW-7D2				
MODEL NO.		LINEAR (0,50] ±0.10 ±0.05 (50,100] ±0.20 ±0.10 (100,+∞] ±0.30 ±0.15		ANGLULAR X. ±0.5° X.X ±0.1°	
APPD.	DATE	PROJECTION:		UNIT	MM
CHECK	DATE	MATERIAL	SCALE		QTY/U
DRAWING	TONY	DATE	8/10/2007	FINISH	DWG NO. REV