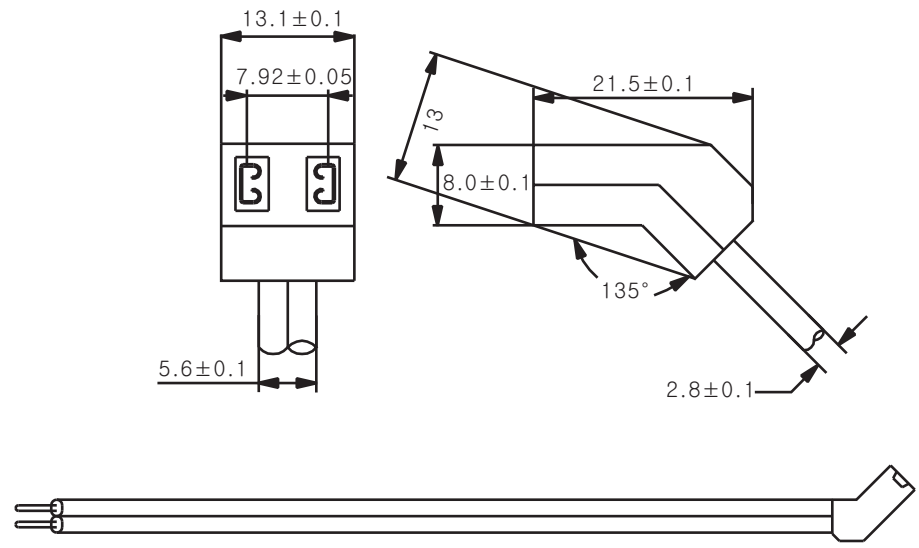


1 2 3 4 5 6 7 8 9 10

A
B
C
D
E
F
G
H
I
J



Part Number	Cord Length	
	mm	inch
FPC-V12W	305	12
FPC-V24W	610	24
FPC-V36W	915	36
FPC-V48W	1220	48
FPC-V60W	1525	60
FPC-V72W	1830	72
FPC-V84W	2130	84
FPC-V96W	2440	96
FPC-V108W	2745	108
FPC-V120W	3050	120

Specifications:

- * UL Listed-CSA approved.
- * Blunt cut end (terminated or stripped & tinned available).
- * 45° Style connector (V Type).

TITLE		PART DRAWING		REV	CHANGES	BY/DATE	APPD/DATE
PART NAME		FAN POWER CORD		COOLTRON INDUSTRIAL SUPPLY, INC. 			
PART NO.		FPC-VXXW					
MODEL NO.				LINEAR (0.50] ±0.10 ±0.05 (50,100] ±0.20 ±0.10 (100,+∞] ±0.30 ±0.15		PROJECTION: 	
APPD.	DATE			ANGULAR X. ±0.5° X.X ±0.1°		UNIT	MM
CHECK	DATE			MATERIAL		SCALE	
DRAWING	TONY	DATE	8/10/2007	FINISH		DWG NO.	REV