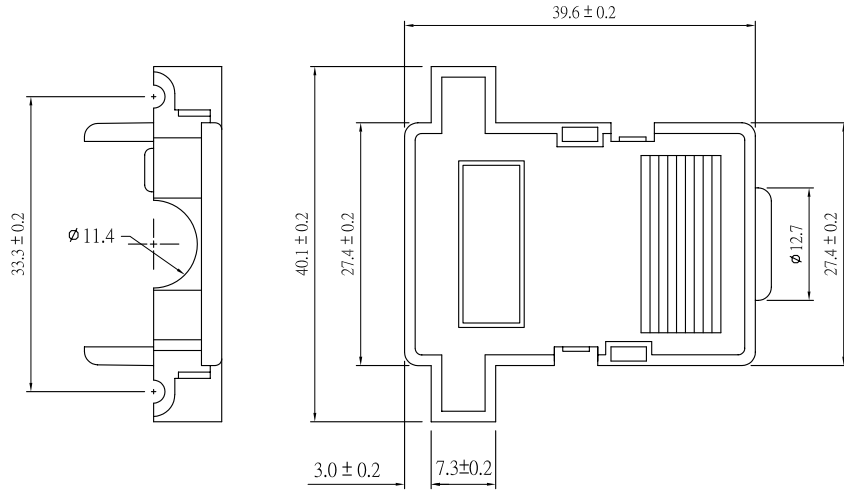
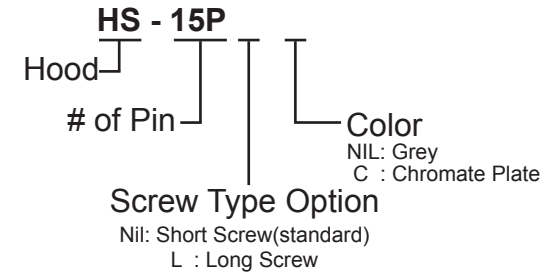


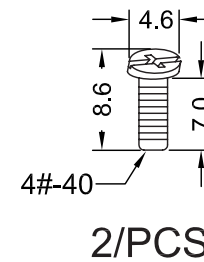
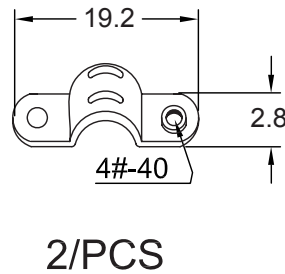
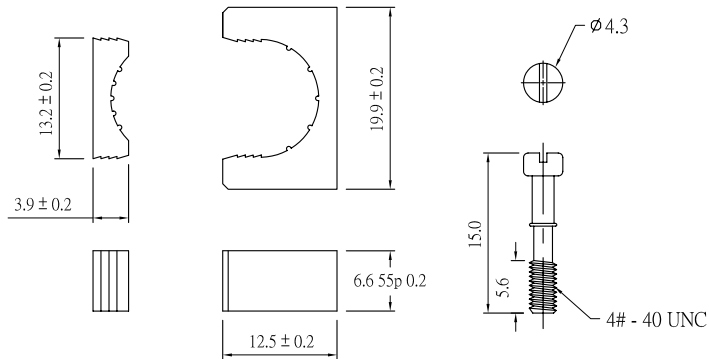
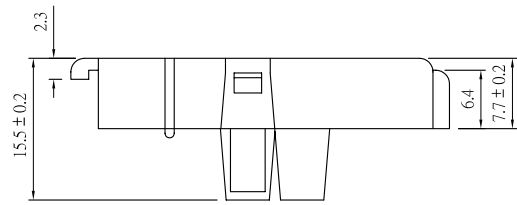
Insulator: ABS UL94HB



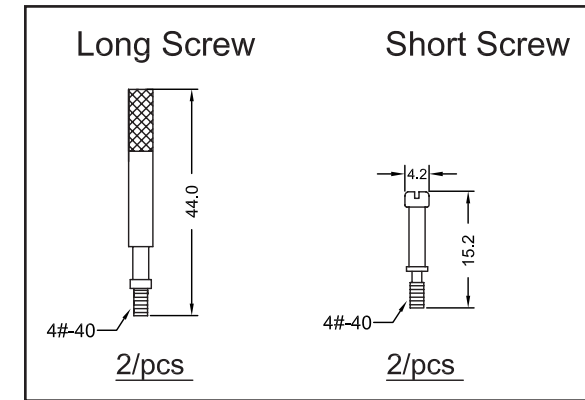
### Part Numbering System



Packaging: 50 Individually sealed pieces per bag.



### Screw Type Option



General Tolerance	
X. $\pm 0.50$	X.° $\pm 5^\circ$
.X $\pm 0.20$	.X° $\pm 2^\circ$
.XX $\pm 0.10$	.XX° $\pm 1^\circ$
Units : mm	