

Pro Components

MS10 SERIES MACHINED I.C. SOCKET SIP TYPE 2.54mm(0.10") PITCH

MATERIAL:

- Insulator: Glass Filled Thermoplastic (PBT) UL94V-0.
- Pin(Sleeve): Brass
- Plating Sleeve: Tin: Tin 200 μ " or Full Gold
- Clip(Contact 4 Finger): Beryllium Copper
- Plating Clip: Full Gold, or 10 μ " Gold Plated, or 30 μ " Gold Plated

SPECIFICATION:

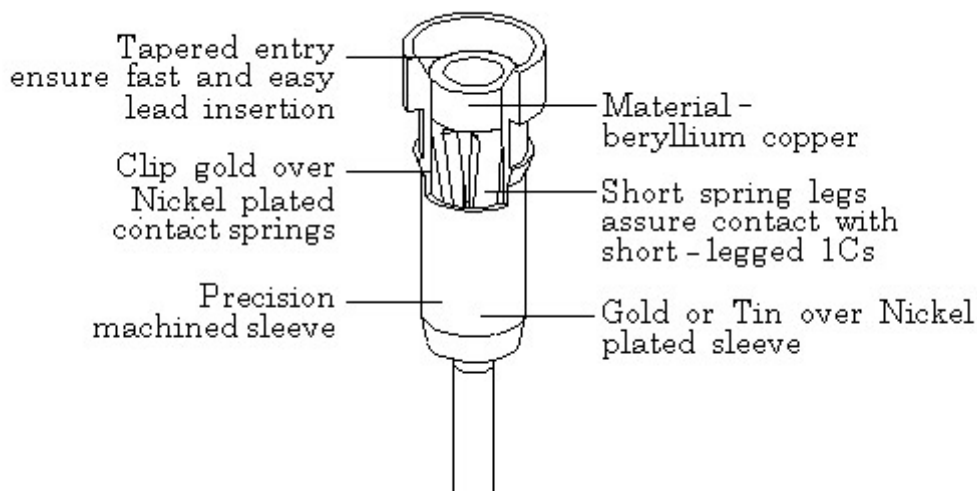
- Current Rating: 3Amp/Contact Max.
- Contact Resistance: $\leq 4\text{M}\Omega$
- Insulator Resistance: $\geq 1000\text{M}\Omega$ at $V=100\text{V}$
- Operating Voltage: 60V AC/DC
- Operating Temperature(Continuous): $-40^{\circ}\text{C}\sim+105^{\circ}\text{C}$
- Soldering Temperature: 260°C , 10 sec Max.



ENVIRONMENTAL PERFORMANCE:

- Life Cycle with Insertion and Withdrawal: 100 Operating Cycles Min.
- Humidity: 90~95%RH, 40°C for 96Hrs.

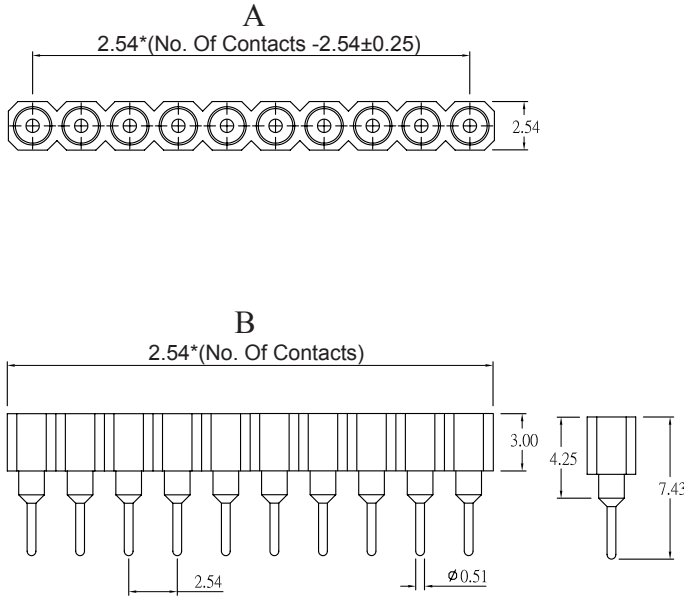
CONSTRUCTION OF PIN:



Pro Components

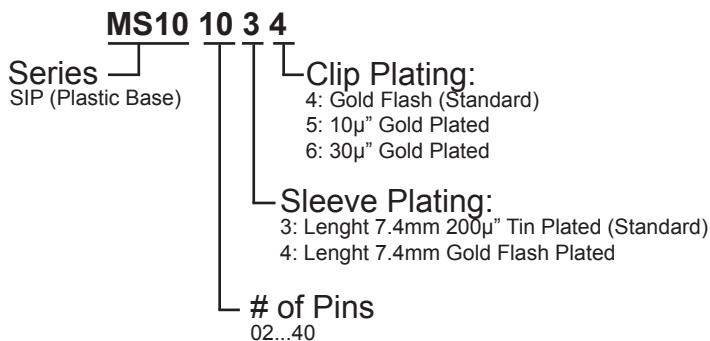
MS10 SERIES MACHINED I.C. SOCKET SIP TYPE 2.54mm(0.10") PITCH

DIMENSIONS OF CIRCUITRY: Unit: mm



| Part Number | # of Pins | A | B |
|-------------|-----------|-------|--------|
| MS1002__ | 2 | 2.54 | 5.08 |
| MS1003__ | 3 | 5.08 | 7.62 |
| MS1004__ | 4 | 7.62 | 10.16 |
| MS1005__ | 5 | 10.16 | 12.70 |
| MS1006__ | 6 | 12.70 | 15.24 |
| MS1007__ | 7 | 15.24 | 17.78 |
| MS1008__ | 8 | 17.78 | 20.32 |
| MS1009__ | 9 | 20.32 | 22.86 |
| MS1010__ | 10 | 22.86 | 25.40 |
| MS1011__ | 11 | 25.40 | 27.94 |
| MS1012__ | 12 | 27.94 | 30.48 |
| MS1013__ | 13 | 30.48 | 33.02 |
| MS1014__ | 14 | 33.02 | 35.56 |
| MS1015__ | 15 | 35.56 | 38.10 |
| MS1016__ | 16 | 38.10 | 40.64 |
| MS1017__ | 17 | 40.64 | 43.18 |
| MS1018__ | 18 | 43.18 | 45.72 |
| MS1019__ | 19 | 45.72 | 48.26 |
| MS1020__ | 20 | 48.26 | 50.80 |
| MS1021__ | 21 | 50.80 | 53.34 |
| MS1022__ | 22 | 53.34 | 55.88 |
| MS1023__ | 23 | 55.88 | 58.42 |
| MS1024__ | 24 | 58.42 | 60.96 |
| MS1025__ | 25 | 60.96 | 63.50 |
| MS1026__ | 26 | 63.50 | 66.04 |
| MS1027__ | 27 | 66.04 | 68.58 |
| MS1028__ | 28 | 68.58 | 71.12 |
| MS1029__ | 29 | 71.12 | 73.66 |
| MS1030__ | 30 | 73.66 | 76.20 |
| MS1031__ | 31 | 76.20 | 78.74 |
| MS1032__ | 32 | 78.74 | 81.28 |
| MS1033__ | 33 | 81.28 | 83.82 |
| MS1034__ | 34 | 83.82 | 86.36 |
| MS1035__ | 35 | 86.36 | 88.90 |
| MS1036__ | 36 | 88.90 | 91.44 |
| MS1037__ | 37 | 91.44 | 93.98 |
| MS1038__ | 38 | 93.98 | 96.52 |
| MS1039__ | 39 | 96.52 | 99.06 |
| MS1040__ | 40 | 99.06 | 101.60 |

PART NUMBER:



Clip Plating:
Sleeve Plating: