

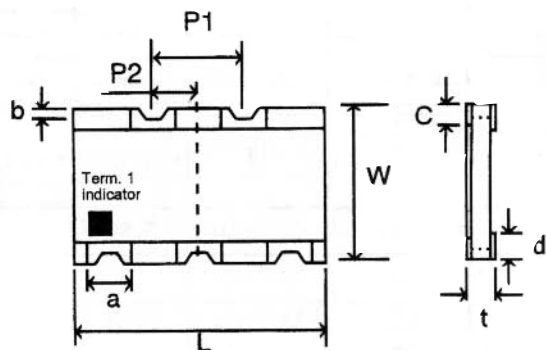
NAB 2B, 2E

Concave Terminations (square corners) 5-pin & 9-pin Bussed

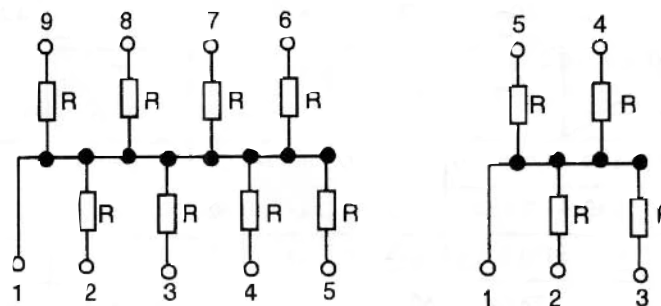
- MEGASTAR-OHM NAB Series are manufactured to RMC Standards
- Marked with Resistance Value
- Less Board Space than Individual Chips
- Bussed Resistor Elements
- Square Corner Construction

DIMENSIONS

SIZE CODE	L	W	t	P1	P2	a (ref.)	b (ref.)	c (ref.)	d
NAB 2E-5Z	$\frac{\text{in}}{\text{mm}}$	$\frac{0.126 \pm 0.008}{3.2 \pm 0.2}$	$\frac{0.098 \pm 0.008}{2.5 \pm 0.2}$	$\frac{0.024 \pm 0.004}{0.6 \pm 0.1}$	$\frac{0.039 \pm 0.004}{1.0 \pm 0.1}$	$\frac{0.026}{0.65}$	$\frac{0.006}{0.15}$	$\frac{0.012}{0.3}$	$\frac{0.020 \pm 0.006}{0.5 \pm 0.15}$
NAB 2B-9Z	$\frac{\text{in}}{\text{mm}}$	$\frac{0.252 \pm 0.008}{6.4 \pm 0.2}$	$\frac{0.126 \pm 0.008}{3.2 \pm 0.2}$	$\frac{0.024 \pm 0.004}{0.6 \pm 0.1}$	$\frac{0.051 \pm 0.004}{1.3 \pm 0.1}$	$\frac{0.033}{0.85}$	$\frac{0.006}{0.15}$	$\frac{0.018}{0.45}$	$\frac{0.024 \pm 0.006}{0.6 \pm 0.15}$



CIRCUIT CONSTRUCTION



RATINGS

Type	Power rating @ 70°C (per element)	TCR (ppm/°C) max.	Resistance range (E-3)*	Resistance tolerance	Absolute maximum working voltage	Maximum overload voltage (5secs. max.)	Operating temperature range
NAB 2E-5Z	63mW	±300	1K -470K	J(±5%)	50V	100V	-55~+125°C
NAB 2B-9Z							

* E-3 significant figures (per decade) are 1.0, 2.2, and 4.7

Part Numbering System

NAB 2B-9Z — 102 J TE

Product Type Concave 5&9 pin	SIZE / PIN / CIRCUIT 2B - 9Z 2E - 5Z	RESISTANCE VALUE CODE VALUES 102 1K 103 10K 471 470K	TOLERANCE J=±5%	Packaging CODE DETAIL TE Tape & Reel (plastic carrier) Please refer to packing explanation on page 31.
--	---	---	---------------------------	--

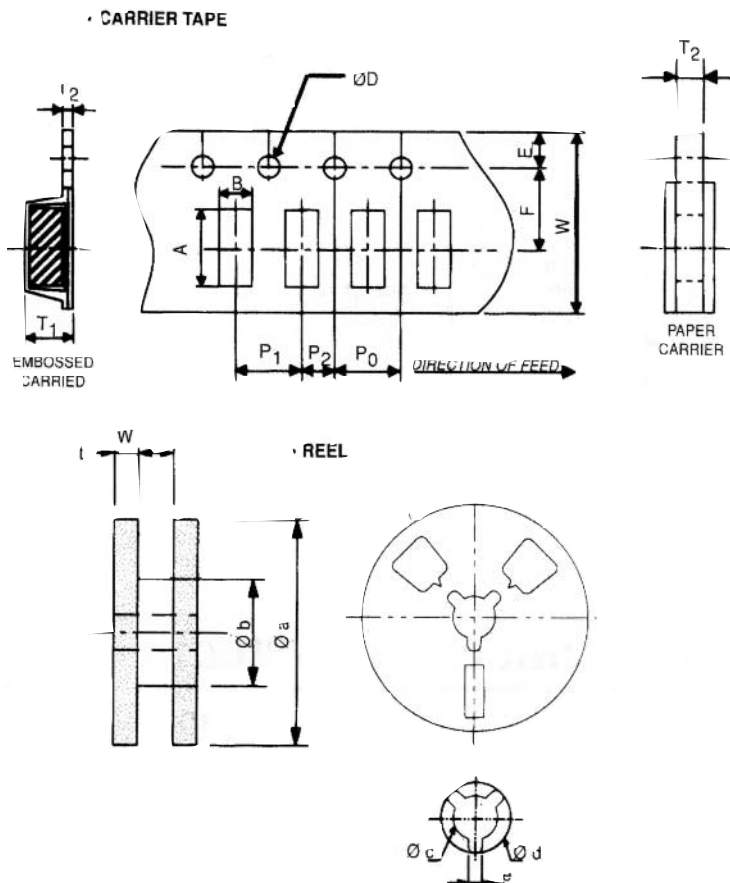
PACKAGING SPECIFICATIONS Units: mm

PART	A	B	W	E	F	T1	T2	P0	P1	P2	ØD
NAB 2E-5Z	3.5±0.2	3.0±0.2	8.0±0.2	1.75±0.1	3.5±0.0	1.0±0.15	0.2±0.05	4.0±0.1	4.0±0.1	2.0±0.05	1.5± ^{0.1}
NAB 2B-9Z	6.7±0.2	3.5±0.2	12.0±0.2	1.75±0.1	3.5±0.0	1.0±0.15	0.2±0.05	4.0±0.1	4.0±0.1	2.0±0.05	1.5± ^{0.1}

REEL DIMENSION Units: mm

PART	Øa	Øb	W	t	Øc	Ød	e	Qty/Reel
NAB 2E-5Z	178±2.0	80±2.0	10.0±1.0	1.5±0.5	13.0±0.5	27.0±2.0	3.0±0.5	4000 pcs.
NAB 2B-9Z	178±2.0	80±2.0	14.0±1.0	1.5±0.5	13.0±0.5	27.0±2.0	3.0±0.5	4000 pcs.

EMBOSSED PLASTIC CARRIER



MEGASTAR-OHM surface mount tape & reel packaging complies with EIA STD. 481-1