

Specifications

Designed to support applications such as: SOHO (ADSL Modems), LAN-on-Motherboard (LOM), Hub and Switches. Meets IEEE 802.3 specification.

Materials:

Housing: Thermoplastic UL94V-0

Contact/Shield: Copper Alloy

Shield Plating: Nickel

Contact Plating: Gold 6µ" min. in contact area

Wave solder tip temperature: 265°C Max for 5 Sec Max

Electrical Specifications @25°C

Operating Temperature Range: 0°C to 70°C

Turn Ratio (±2%):

TX = 1CT:1CT, RX = 1CT:1CT

Inductance OCL:

350µH Min @ 100KHz / 0.1V, 8mA DC Bias

Insertion Loss:

-1.0dB Max @ 1.0-65MHz

Return Loss: (100Ω ± 15Ω)

-15dB Min @ 1-10MHz

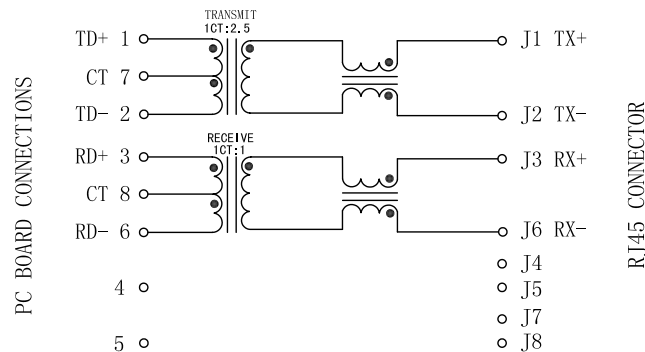
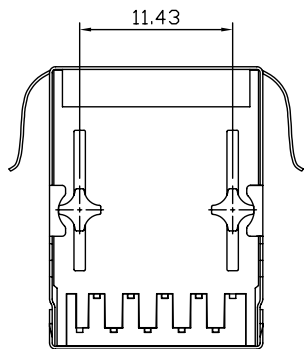
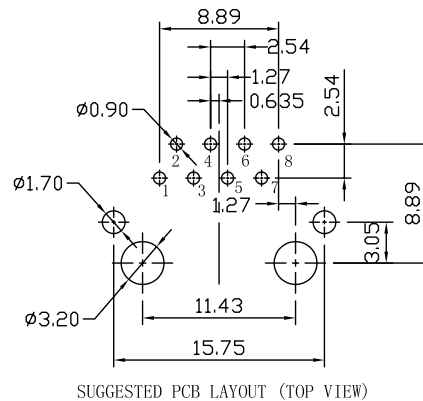
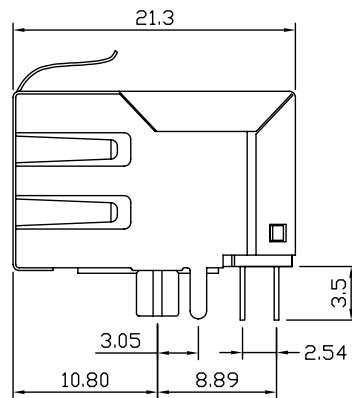
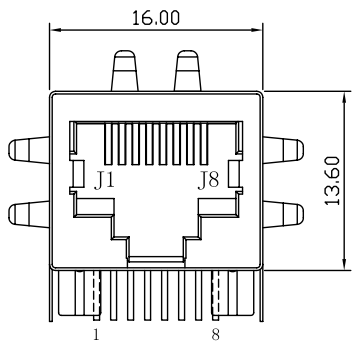
Cross Talk:

-30dB Min @ 1-10MHz

Common Mode Rejection:

-25dB Min @ 5MHz

Hipot Test: 1500Vrms Min



General Tolerance	
.X ± 0.30	Angles: ±1°
.XX ± 0.20	
.XXX ± 0.05	
Units : mm	