

### Specifications

Designed to support applications such as: SOHO (ADSL Modems), LAN-on-Motherboard (LOM), Hub and Switches. Meets IEEE 802.3 specification.

**Materials:**  
 Housing: Thermoplastic UL94V-0  
 Contact/Shield: Copper Alloy  
 Shield Plating: Nickel  
 Contact Plating: Gold 6µ" min. in contact area  
 Wave solder tip temperature: 265°C Max for 5 Sec Max

**Electrical Specifications @25°C**  
 Operating Temperature Range: 0°C to 70°C  
 Turn Ratio (±2%):

$$TX = 1CT:1, RX = 1CT:1$$

**Inductance OCL:**  
 350µH Min @ 100KHz, 0.1V, 8mA DC Bias

**Insertion Loss:**  
 -1.0dB Max @ 1.0-100MHz

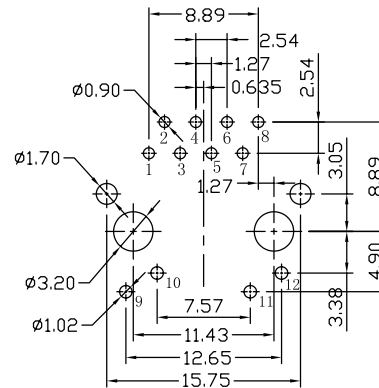
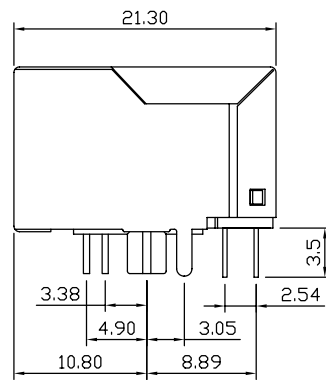
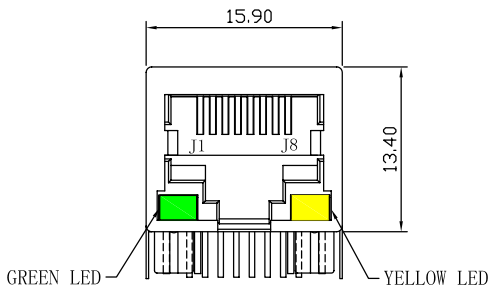
**Return Loss:**  
 -18dB Min @ 1.0-30MHz  
 -15dB Min @ 30-60MHz  
 -12dB Min @ 60-80MHz  
 -10dB Min @ 80-100MHz

**Cross Talk:**  
 -40dB Min @ 30MHz  
 -35dB Min @ 60MHz  
 -30dB Min @ 100MHz

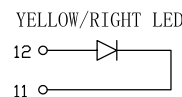
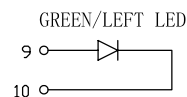
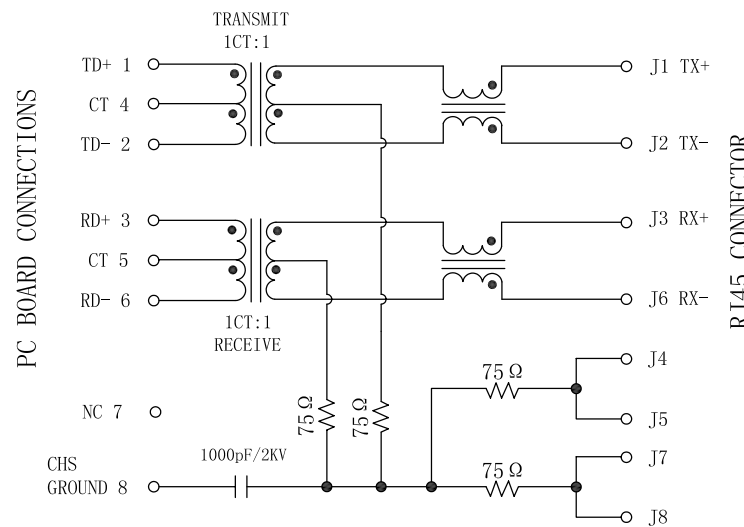
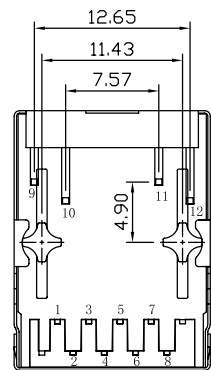
**Common Mode Rejection:**  
 -40dB Min @ 30MHz  
 -35dB Min @ 60MHz  
 -30dB Min @ 100MHz

**Hipot Test:** 1500Vrms Min

**LED Lamp:**  
 Wave Length: GREEN/YELLOW: 570nm/590nm  
 Forward Voltag(Vf): 1.8V-2.4V (Test Condition: 20mA)



SUGGESTED PCB LAYOUT (TOP VIEW)



General Tolerance	
.X ± 0.30	Angles: ±1°
.XX ± 0.20	
.XXX ± 0.05	
Units : mm	