

Specifications

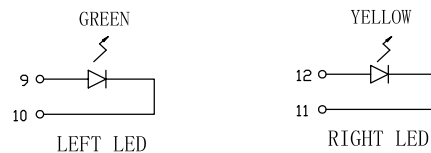
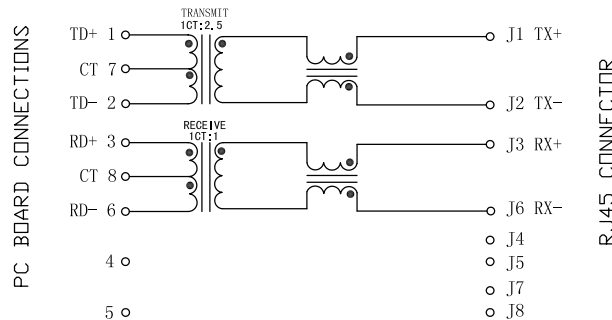
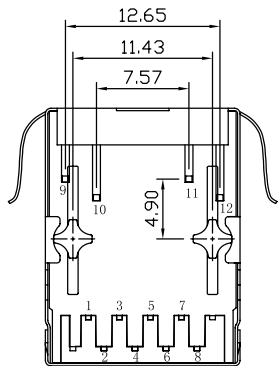
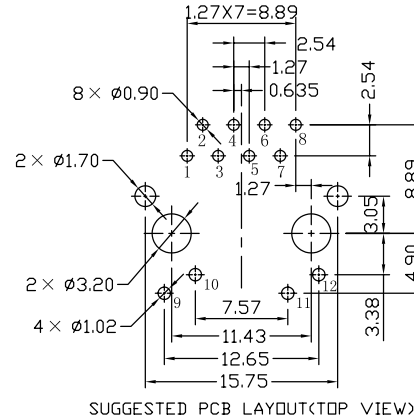
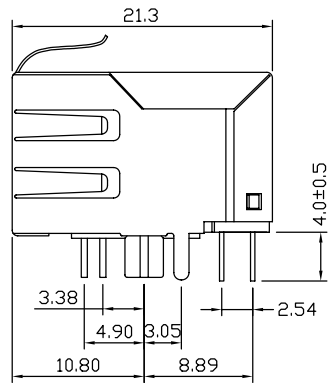
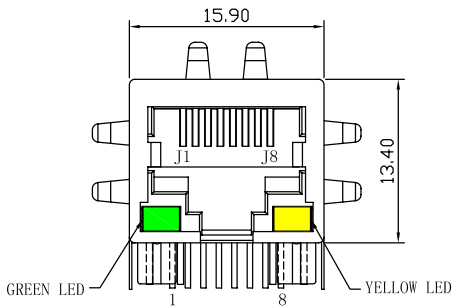
Designed to support applications such as: SOHO (ADSL Modems), LAN-on-Motherboard (LOM), Hub and Switches. Meets IEEE 802.3 specification.

Materials:

- Housing: Thermoplastic UL94V-0
- Contact/Shield: Copper Alloy
- Shield Plating: Nickel
- Contact Plating: Gold 6μ" min. in contact area
- Wave solder tip temperature: 265°C Max for 5 Sec Max

Electrical Specifications @25°C

- Operating Temperature Range: 0°C to 70°C
- Turn Ratio (±2%): TX = 1CT:2.5, RX = 1CT:1CT
- Inductance OCL: 140μH Min @ 100KHz 50mV
- Insertion Loss: -1.0dB Max @ 1.0-10MHz
- Return Loss: (100Ω ± 15Ω) -15dB Min @ 1-10MHz
- Cross Talk: -30dB Min @ 1-10MHz
- Common Mode Rejection: -25dB Min @ 5MHz
- Hipot Test: 1500Vrms Min



General Tolerance	
.X ± 0.30	Angles: ±1°
.XX ± 0.20	
.XXX ± 0.05	
Units : mm	