

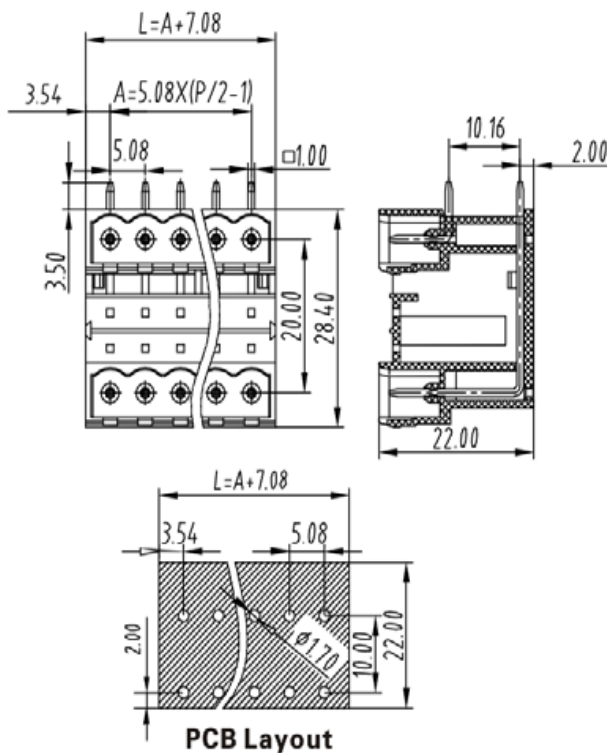


5.08mm Pitch



		
Rated Voltage	300V	320V
Rated Current	16A	17.5A
Insulation Withstand Voltage	AC 2000V / Min	
Insulation Resistance	500MΩ or More at DC500V	
Temperature Range	-40°C to +105°C	

Units: mm



- ① Housing: PA66(UL94V-0)
- ② Solder Pin: Copper Alloy, Tin Plated

Part Numbering System:

PHDC-508R - XXP - XXX

① ② ③

- ① Series
- ② Number of Poles: 04, ..., 48
- ③ Insulator Color: GRN = Green