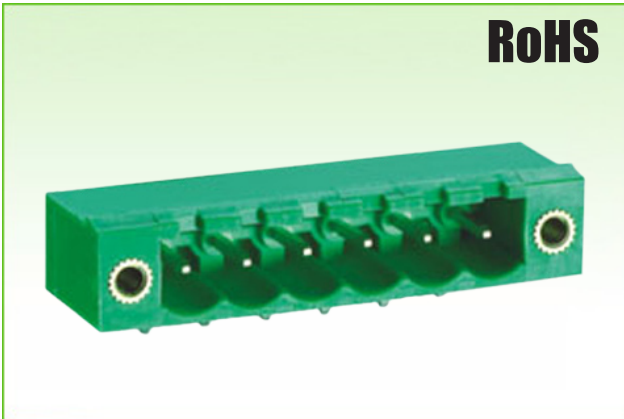
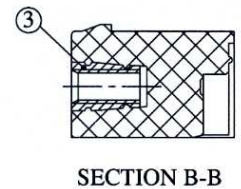
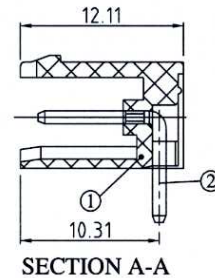
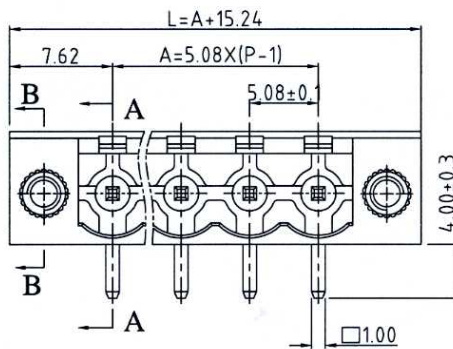
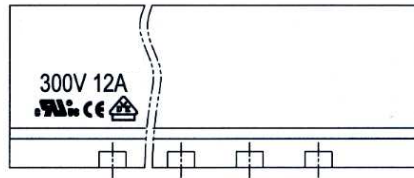
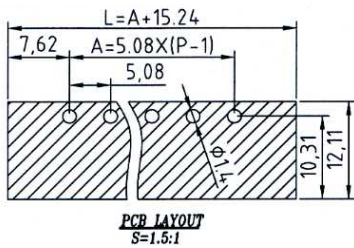


5.08mm Pitch



	<b>UL</b> <sup>®</sup> <b>US</b>
Rated Voltage	300V
Rated Current	12A
Insulation Withstand Voltage	AC 1500V / Min.
Insulation Resistance	500MΩ or More at DC500V
Temperature Range	-40°C to +105°C

Units: mm



- ① Housing: PA66(V0)
- ② Pin: Brass, Tin Plated
- ③ Nut: Brass

**Part Numbering System:**

PHW-508R - XXP - XXX

①                      ②                      ③

① Series

② Number of Poles: 02, 03, 04, ..., 24

③ Insulator Color: GRN = Green

# Pin	2	3	4	5	6	7	8	9	10	11	12	13
Dim L	20.32	25.40	30.48	35.56	40.64	45.72	50.80	55.88	60.96	66.04	71.12	76.20
Dim A	5.08	10.16	15.24	20.32	25.40	30.48	35.56	40.64	45.72	50.80	55.88	60.96
# Pin	14	15	16	17	18	19	20	21	22	23	24	
Dim L	81.28	86.36	91.44	96.52	101.60	106.68	111.76	116.84	121.92	127.00	132.08	
Dim A	66.04	71.12	76.20	81.28	86.36	91.44	96.52	101.6	106.68	111.76	116.84	