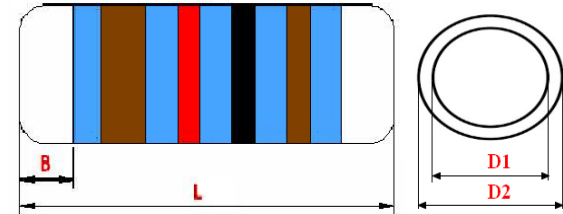




## FEATURES

- Resistances from 8.2Ω to 4.99MΩ • 0.1%, 0.5%, 1% and 5% tolerances • High Power Handling
- Superior Reliability and Stability • SMD Enabled Structure • RoHS compliant / lead-free
- Operating Temperature: -55°C to +155°C



## MECHANICAL SPECIFICATIONS

Type	L	D1 min.	D2 Max.	B Min	Units
PMR18 / PMR15	2.0 ± 0.1	1.12	1.4	0.4	mm
PMR16	3.5 ± 0.2	1.12	1.5	0.5	mm
PMR14 / PMR16S	3.5 ± 0.2	1.12	1.5	0.5	mm
PMR12S	5.9 ± 0.2	1.72	2.4	0.5	mm
PMR12	5.9 ± 0.2	1.72	2.4	0.5	mm
PMR01S	5.9 ± 0.2	1.72	2.4	0.5	mm
PMR12H	8.5 ± 0.2	2.55	3.4	0.5	mm
PMR01	8.5 ± 0.2	2.55	3.4	0.5	mm
PMR02S	8.5 ± 0.2	2.55	3.4	0.5	mm
PMR02	10.5 ± 0.3	3.7	4.3	1.0	mm
PMR03	14.5 ± 0.3	4.2	4.8	1.0	mm

## PART NUMBERING SYSTEM

### PMR12

Type	Wattage
PMR18	1/8W
PMR15	1/5W
PMR16	1/6W
PMR14	1/4W
PMR16S	0.4W
PMR12S	1/2W
PMR12	1/2W
PMR12H	1/2W
PMR01S	1W
PMR01	1W
PMR02S	2W
PMR02	2W
PMR03	3W

### 100

Resistance Tolerance	
F	1%
J	5%
D	0.5%
C	0.25%
B	0.1%

### T

Packaging	
Code	Description
T	Tape & Reel

### 100

TCR	
Code	Description
100	100PPM
50	50PPM
25	25PPM
15	15PPM

3 DIGIT CODE (5% Tolerance)							
Resistance Value							
Code	1R0	100	101	102	103	104	105
Values	1Ω	10Ω	100Ω	1KΩ	10K	100K	1M

5% Tolerance: First two digits are significant figures and third digit is number of zeros.

Letter "R" indicates decimal values under 100 ohms.

4 DIGIT CODE (1% Tolerance)						
Resistance Value						
Code	10R0	1000	1001	1002	1003	1004
Values	10Ω	100Ω	1K	10K	100K	1M

1% Tolerance: First three digits are significant figures and fourth digit is number of zeros.

Letter "R" indicates decimal values under 100 ohms.



LEADFREE  
RoHS Compliant

PERFORMANCE SPECIFICATIONS

Requirements	Characteristics	Test Method (JIS-C5202)
Temp. Coefficient (PPM / °C)	±100, ±50, ±25, ±15 PPM / °C	JIS-C(5202-5.2)
Short Time Overload	±(0.5% + 0.05Ω)	JIS-C(5202-5.5)
Intermittent	±(1.0% + 0.05Ω)	JIS-C(5202-5.8)
Resistance to Soldering Heat	±(0.5% + 0.05Ω)	JIS-C(5202-6.4)
Solderability	95% Coverage min.	JIS-C(5202-6.5)
Moisture Resistance	±(1.0% + 0.1Ω)	JIS-C(5202-7.9)
Load Life	*±(1.0% + 0.05Ω)	JIS-C(5202-7.10)

Note \*: ±(0.5% ± 0.05Ω) for resistor tolerance tighen than 0.5%

GENERAL SPECIFICATIONS

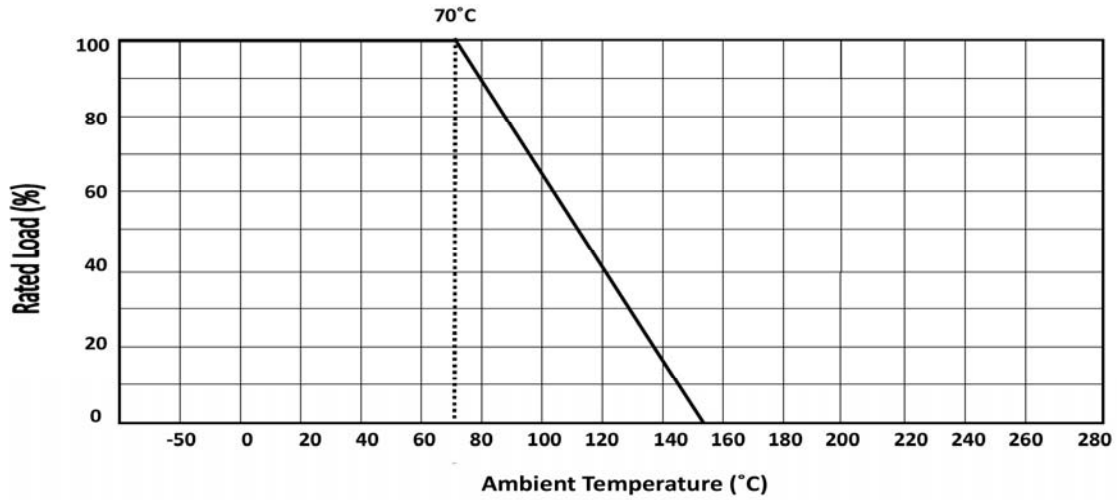
Type	Power Rating (at 70°C)	Max. Working Voltage	Max. Overload Voltage	Resistance Range		Resistance Tolerance	Standard Resistance TCR 10 <sup>-6</sup> /K
				Min	Max		
PMR18	1/8W	150V	300V	10Ω	560KΩ	±5%, ±1%	±50, ±100
				100Ω	499KΩ	±0.5, ±0.1%	±25, ±50
PMR15	1/5W	200V	400V	8.2Ω	1MΩ	±1%, ±0.5%	±50, ±100%
				49.9Ω	200KΩ	±1%, ±0.5%	±25
				100Ω	82KΩ	±0.25%, ±0.1%	±25
PMR16	1/6W	200V	400V	10Ω	1MΩ	±5%, ±1%, ±0.5%	±25, ±50, ±100
				10Ω	560KΩ	±0.25%	±15, ±25
				43Ω	100KΩ	±0.1%	±15, ±25
PMR14	1/4W	200V	400V	10Ω	1MΩ	±5%, ±1%, ±0.5%	±25, ±50, ±100
				10Ω	332KΩ	±0.25%	±15, ±25
				100Ω	100KΩ	±0.1%	±15, ±25
PMR16S	0.4W	200V	400V	10Ω	1MΩ	±5%, ±1%, ±0.5%	±25, ±50, ±100
				10Ω	332KΩ	±0.25%	±15, ±25
				100Ω	100KΩ	±0.1%	±15, ±25
PMR12S	1/2W	250V	500V	10Ω	4.99MΩ	±5%, ±1%, ±0.5%	±25, ±50, ±100
				10Ω	332KΩ	±0.25%	±15, ±25
				100Ω	100KΩ	±0.1%	±15, ±25
PMR12	1/2W	250V	500V	10Ω	1MΩ	±5%, ±1%, ±0.5%	±25, ±50, ±100
				10Ω	332KΩ	±0.25%	±15, ±25
				100Ω	100KΩ	±0.1%	±15, ±25
PMR12H	1/2W	350V	700V	10Ω	1MΩ	±5%, ±1%, ±0.5%	±25, ±50, ±100
				10Ω	332KΩ	±0.25%	±15, ±25
				100Ω	100KΩ	±0.1%	±15, ±25
PMR01S	1W	350V	700V	10Ω	1MΩ	±5%, ±1%, ±0.5%	±25, ±50, ±100
				10Ω	1MΩ	±0.25%	±15, ±25
				100Ω	510KΩ	±0.1%	±15, ±25
PMR01	1W	350V	700V	10Ω	1MΩ	±5%, ±1%, ±0.5%	±25, ±50, ±100
				10Ω	332KΩ	±0.25%	±15, ±25
				100Ω	100KΩ	±0.1%	±15, ±25
PMR02S	2W	350V	700V	10Ω	1MΩ	±5%, ±1%, ±0.5%	±25, ±50, ±100
				10Ω	1MΩ	±0.25%	±15, ±25
				100Ω	100KΩ	±0.1%	±15, ±25
PMR02	2W	500V	1000V	10Ω	1MΩ	±5%, ±1%	±50, ±100
PMR03	3W	500V	1000V	10Ω	1MΩ	±5%, ±1%	±50, ±100

Note: Lower or higher resistances beyond above are available upon request.

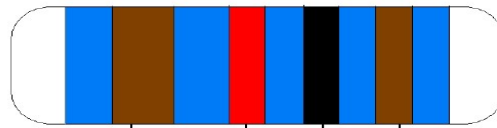


LEADFREE  
RoHS Compliant

POWER DERATING CURVE



COLOR BAND

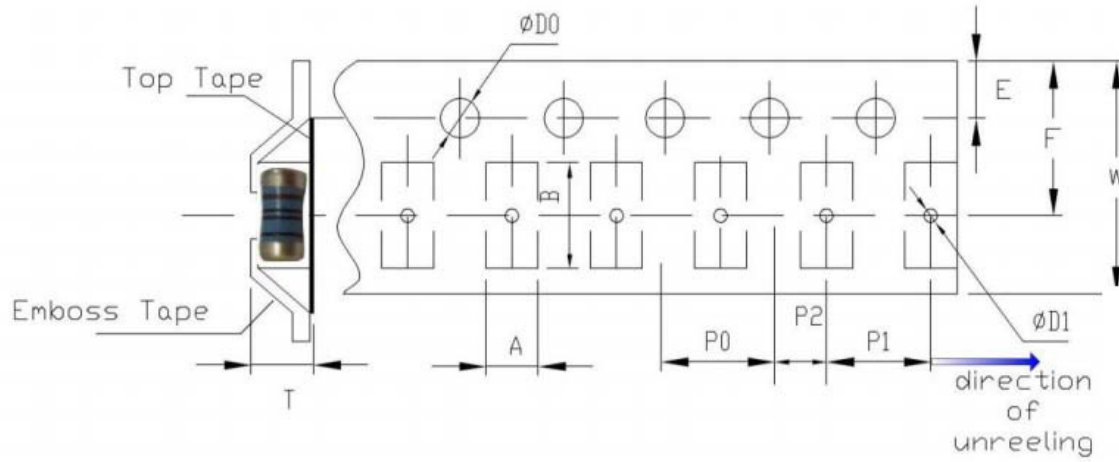


COLOR	1 <sup>ST</sup> VALUE (Thickness)	2 <sup>ND</sup> VALUE	3th VALUE	MULTIPLIER	TOLERANCE %	
BLACK	0	0	0	10 <sup>0</sup>		
BROWN	1	1	1	10 <sup>1</sup>	±1%	F
RED	2	2	2	10 <sup>2</sup>	±2%	G
ORANGE	3	3	3	10 <sup>3</sup>		
YELLOW	4	4	4	10 <sup>4</sup>		
GREEN	5	5	5	10 <sup>5</sup>	±0.5%	D
BLUE	6	6	6	10 <sup>6</sup>	±0.25%	C
VIOLET	7	7	7	10 <sup>7</sup>	±0.1%	B
GREY	8	8	8	10 <sup>8</sup>	±0.05%	A
WHITE	9	9	9	10 <sup>9</sup>		
GOLD				10 <sup>-1</sup>	±5%	J
SILVER				10 <sup>-2</sup>	±10%	K
PLAIN					±20%	M



EMBOSS PLASTIC TAPE SPECIFICATIONS

LEADFREE  
RoHS Compliant



Type	A	B	W	E	F	P0	P1	P4	ØD0	T
PMR14 PMR18 PMR16	1.60 ± 0.10	3.70 ± 0.10	8.0 ± 0.10	1.75 ± 0.10	3.50 ± 0.10	4.00 ± 0.10	4.00 ± 0.10	2.00 ± 0.10	1.50 ± 0.10	1.45 ± 0.10
PMR12S PMR12 PMR01S	2.40 ± 0.10	6.3 ± 0.10	12.0 ± 0.10	1.75 ± 0.10	5.50 ± 0.10	4.00 ± 0.10	4.00 ± 0.10	2.00 ± 0.10	1.50 ± 0.10	2.50 ± 0.10
PMW12H PMW01 PMW02S	3.30 ± 0.10	9.00 ± 0.10	16.0 ± 0.10	1.75 ± 0.10	7.5 ± 0.10	4.00 ± 0.10	8.00 ± 0.10	2.00 ± 0.10	1.50 ± 0.10	3.30 ± 0.10