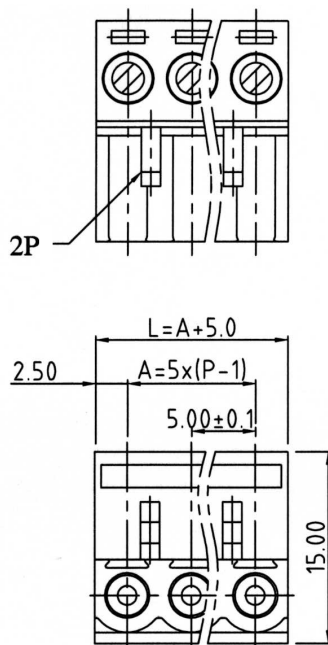


5.00mm Pitch

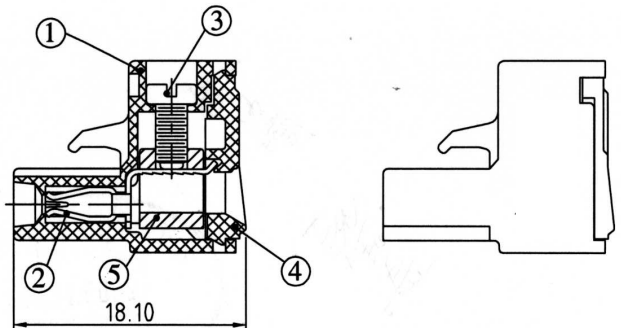


	UL[®] US
Rated Voltage	300V
Rated Current	12A
Insulation Withstand Voltage	AC 2000V / Min
Insulation Resistance	≥ 500MΩ or More at DC500V
Temperature Range	-40°C to +105°C
Screw Torque	4.4 lbf
Wire Range	28-12 AWG
Wire Strip Length	5.8 - 6.1mm

Units: mm



- ① Housing: PA66(V0)
- ② Clamp: Bronze, Tin Plated
- ③ Screw: Steel, Zinc Plated
- ④ Cover: PA66(V0)
- ⑤ Block: Brass, Nickel Plated



Part Numbering System:

PS-500V - XXP - XXX
 ① ② ③

- ① Series
- ② Number of Poles: 02, 03, 04, ..., 24
- ③ Insulator Color: GRN = Green, BLK = Black, ORG = Orange

# Pin	2	3	4	5	6	7	8	9	10	11	12	13
Dim L	10	15	20	25	30	35	40	45	50	55	60	65
Dim A	5	10	15	20	25	30	35	40	45	50	55	60
# Pin	14	15	16	17	18	19	20	21	22	23	24	
Dim L	70	75	80	85	90	95	100	105	110	115	120	
Dim A	65	70	75	80	85	90	95	100	105	110	115	