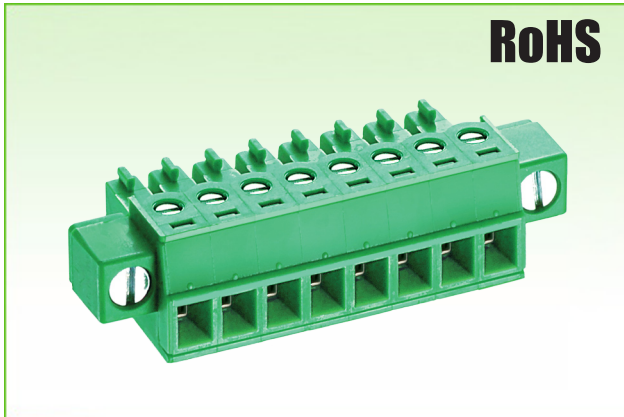




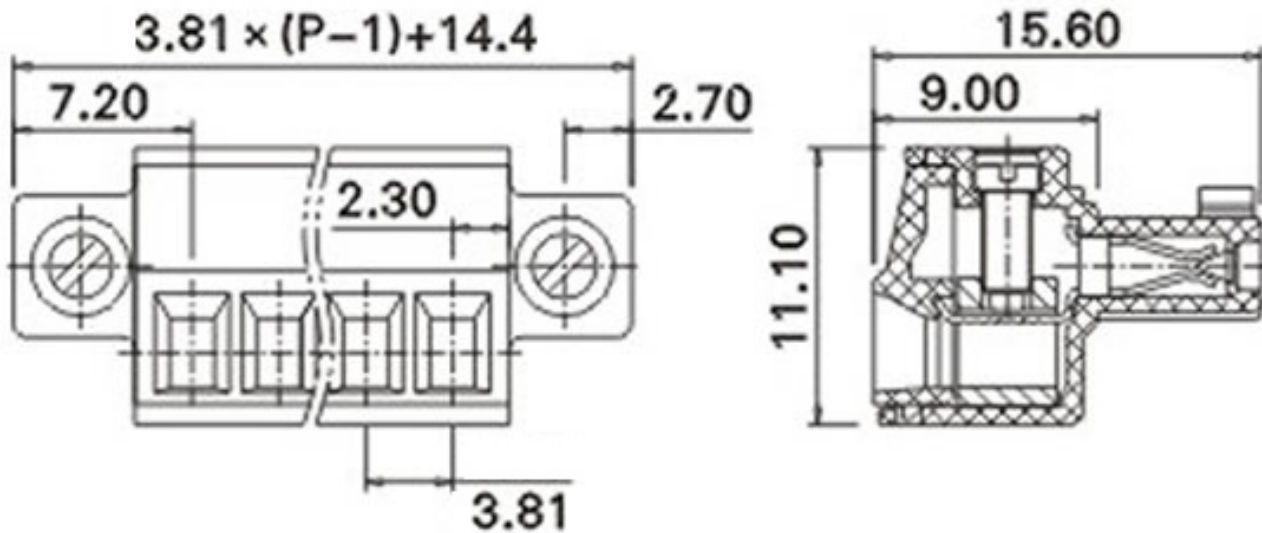
3.81mm Pitch



		
Rated Voltage	300V	150V
Rated Current	8A	
Insulation Withstand Voltage	AC 1500V / Min.	
Insulation Resistance	500MΩ or More at DC500V	
Temperature Range	-40°C to +105°C	
Wire Range	24-14AWG	2.5mm <sup>2</sup>
Screw	M2	

Units: mm

- ① Housing: PA66(V0)
- ② Pin: Brass, Tin Plated
- ③ Nut: Brass



**Part Numbering System:**

PSW-381V - XXP - XXX

①                      ②                      ③

- ① Series
- ② Number of Poles: 02, 03, 04, ..., 24
- ③ Insulator Color: GRN = Green

# Pin	2	3	4	5	6	7	8	9	10	11	12	13
Dim L	18.21	22.02	25.83	29.64	33.45	37.26	41.07	44.88	48.69	52.5	56.31	60.12
Dim A	3.81	7.62	11.43	15.24	19.05	22.86	26.67	30.48	34.29	38.10	41.91	45.72
# Pin	14	15	16	17	18	19	20	21	22	23	24	
Dim L	63.93	67.74	71.55	75.36	79.17	82.98	86.79	90.60	94.41	98.22	102.03	
Dim A	49.53	53.34	57.15	60.96	64.77	68.58	72.39	76.20	80.01	83.82	87.63	