



SPECIFICATIONS:

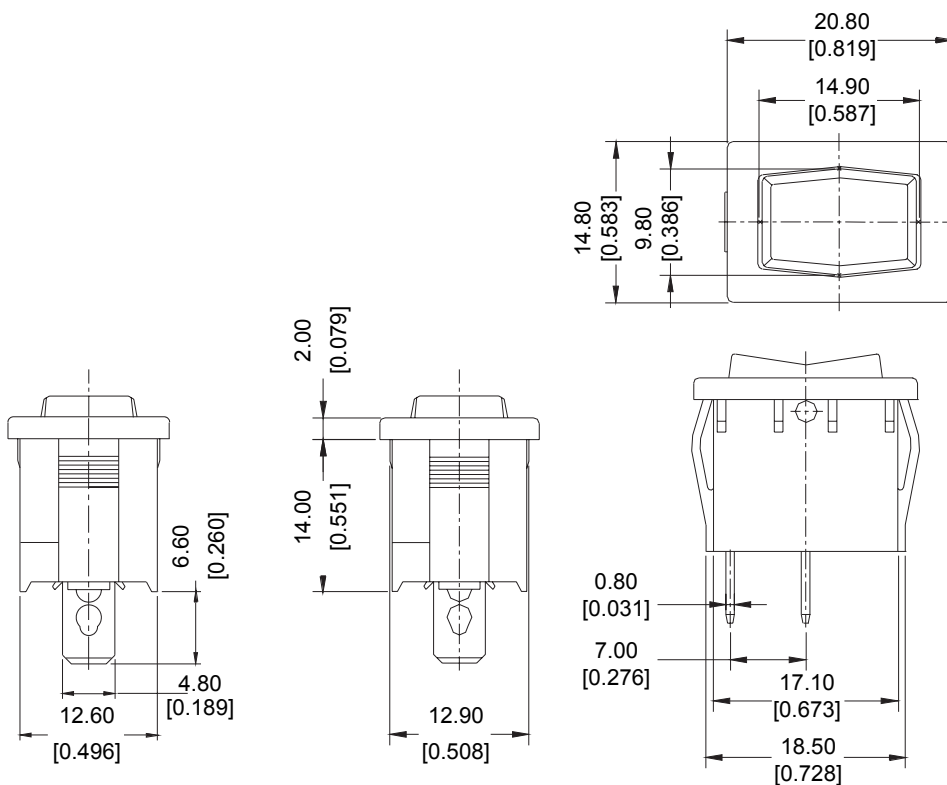
- Contact Rating: 6A, 250V AC (UL, VDE)
- Function: ON-OFF
- Contact Resistance: < 20mΩ
- Insulation Resistance: > 1,000MΩ
- High Voltage Resistance: > 1,500VAC 1 min.
- Operating Temperature: -20°C to +85°C
- Atmospheric Humidity: Max. 85%
- Flammability: UL94V-0
- Solderability of Terminal: Max. 350°C, 3 seconds
- Mechanical Life: 30,000 Cycles
- Electrical Life: 10,000 Cycles

MATERIALS:

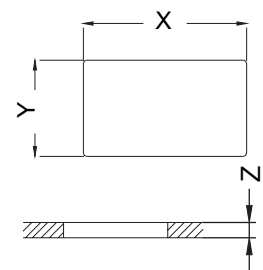
- Housing: PA66, Black
- Rocker: PA66, Black
- Contact: Silver Alloy
- Terminal: Brass, Silver Plated
- Spring: SWC
- Moveable Arm: Copper, Silver Plated
- Bracket: PA66

Poles & Throws	Rocker Position		
	Left	Center	Right
SPST	ON	None	OFF

DIMENSIONS (Units: mm):



PANEL CUT-OUT (Units: mm):



Z	Y	X
0.70~1.25	12.8~12.9	19.2~19.3
1.25~2.00	12.8~12.9	19.3~19.4
2.00~3.00	12.8~12.9	19.5~19.6