

THIN FILM CHIP RESISTORS



RNC

RNC 05, 10, 16, 20, 32, 33, 50, 57, 63

MEGASTAR-OHMS thin film resistors have excellent performance in linearity, current noise, and high frequency applications. Low temperature coefficients and tight tolerances are characteristics that are not available from thick film technology. They are ideal for advanced high-density applications.

Construction

The resistors are constructed out of a high-grade ceramic body. Internal metal electrodes are added at each end and connected by a resistive layer. The resistive layer is adjusted to give the approximate required resistance and laser cutting of this resistive layer that achieves tolerance trims the value. The resistive layer is covered with a protective coat and printed with the resistance value. Finally the two external terminations (matte tin) are added.

Scope

This specification describe RNC05 to RNC63 high precision -high stability chip resistors with lead-free terminations made by thin film process.

Applications

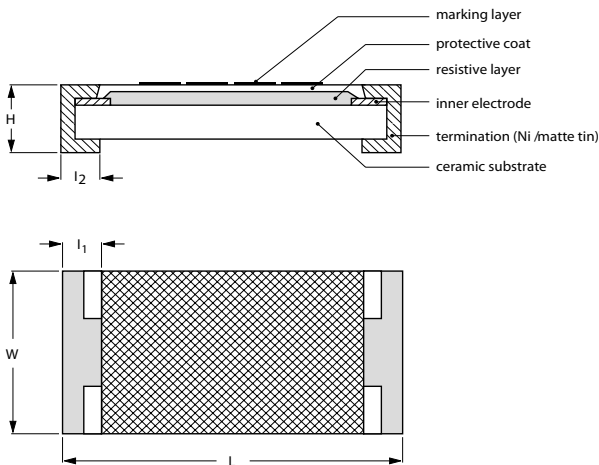
1. Converters
2. Printer equipment
4. Server board
5. Telecom
6. Consumer

Features

1. Halogen Free Epoxy
2. RoHS compliant
 - Products with lead free terminations meet RoHS requirements.
 - Pb-glass contained in electrodes, resistor element and glass are exempted by RoHS
3. Reducing environmentally hazardous waste
4. High component and equipment reliability
5. Saving of PCB space
6. None forbidden-materials used in products/production

Units: Inch (mm)

Dimensions: Units: mm(inch)



| Type | L | W | H | I1 | I2 |
|--------------|--------------------------------|--------------------------------|---------------------------------|--------------------------------|--------------------------------|
| RNC05 (0201) | 0.024 ± 0.002 (0.60 ± 0.05) | 0.012 ± 0.002 (0.30 ± 0.05) | 0.009 ± 0.001 (0.23 ± 0.030) | 0.005 ± 0.002 (0.12 ± 0.05) | 0.005 ± 0.002 (0.12 ± 0.05) |
| RNC10 (0402) | 0.039 ± 0.002 (1.00 ± 0.05) | 0.020 ± 0.002 (0.50 ± 0.05) | 0.014 ± 0.002 (0.35 ± 0.05) | 0.008 ± 0.004 (0.20 ± 0.10) | 0.010 ± 0.002 (0.25 ± 0.10) |
| RNC16 (0603) | 0.063 ± 0.008 (1.60 ± 0.20) | 0.032 ± 0.008 (0.80 ± 0.20) | 0.016 ± 0.004 (0.40 ± 0.10) | 0.012 ± 0.008 (0.30 ± 0.20) | 0.012 ± 0.008 (0.30 ± 0.20) |
| RNC20 (0805) | 0.079 ± 0.008 (2.00 ± 0.20) | 0.049 ± 0.008 (1.25 ± 0.20) | 0.016 ± 0.004 (0.40 ± 0.10) | 0.016 ± 0.008 (0.40 ± 0.20) | 0.016 ± 0.008 (0.40 ± 0.20) |
| RNC32 (1206) | 0.122 ± 0.008 (3.10 ± 0.20) | 0.063 ± 0.008 (1.60 ± 0.20) | 0.020 ± 0.004 (0.50 ± 0.10) | 0.020 ± 0.012 (0.50 ± 0.30) | 0.016 ± 0.008 (0.40 ± 0.20) |
| RNC33 (1206) | 0.122 ± 0.008 (3.10 ± 0.20) | 0.063 ± 0.008 (1.60 ± 0.20) | 0.020 ± 0.004 (0.50 ± 0.10) | 0.020 ± 0.012 (0.50 ± 0.30) | 0.016 ± 0.008 (0.40 ± 0.20) |
| RNC50 (1210) | 0.122 ± 0.008 (3.10 ± 0.20) | 0.102 ± 0.008 (2.60 ± 0.20) | 0.024 ± 0.008 (0.60 ± 0.20) | 0.020 ± 0.012 (0.50 ± 0.30) | 0.016 ± 0.008 (0.40 ± 0.20) |
| RNC57 (2010) | 0.197 ± 0.006 (5.00 ± 0.15) | 0.098 ± 0.006 (2.50 ± 0.15) | 0.024 ± 0.004 (0.60 ± 0.10) | 0.024 ± 0.012 (0.60 ± 0.30) | 0.020 ± 0.010 (0.50 ± 0.25) |
| RNC63 (2512) | 0.250 ± 0.006 (6.35 ± 0.15) | 0.126 ± 0.006 (3.20 ± 0.15) | 0.024 ± 0.004 (0.60 ± 0.10) | 0.024 ± 0.012 (0.60 ± 0.30) | 0.020 ± 0.010 (0.50 ± 0.25) |

PART NUMBERING SYSTEM

| RNC | 18 | E | XXXX | J | T |
|------|---|--|---|---|---|
| Type | Size | T.C.R. | | Resistance Tolerance | Packaging |
| RNC | Code Wattage (Size) | Code ppm/°C | | T ±0.01% W ±0.05% B ±0.1% C ±0.25% D ±0.5% F ±1.0% | B Bulk T Tape & Reel (paper carrier) TE Tape & Reel (plastic carrier) |
| | 05 1/20W (0201) 10 1/16W (0402) 16 1/10W (0603) 20 1/8W (0805) 32 1/4W (1206) 33 1/3W (1206) 50 1/4W (1210) 57 1/2W (2010) 63 3/4W (2512) | Y ±5ppm/°C T ±10ppm/°C B ±15ppm/°C E ±25ppm/°C C ±50ppm/°C K ±100ppm/°C | | | |
| | | | Resistance Value: 4 DIGIT CODE | | |
| | | | Code 10R0 1001 1002 1003 1004 Values 10Ω 1KΩ 10KΩ 100KΩ 1MKΩ | | |

First three digits are significant figures and third digit is number of zeros. Letter "R" indicates decimal values under 100 ohms.

THIN FILM CHIP RESISTORS



RNC

RNC 05, 10, 16, 20, 32, 33, 50, 57, 63

LEADFREE
RoHS Compliant

Ratings

| Type | Power Rating @ 70°C (W) | Maximum Working Voltage* | Maximum Overload Voltage | Resistance Temperature Coefficient | Ohmic Rang and Tolerance | | | | |
|-----------------|-------------------------------|--------------------------------|--------------------------------|--|--|---|--|--|---|
| | | | | | 0.01%, 0.05% | 0.1% | 0.25% | 0.5% | 1% |
| RNC05 (0201) | 1/20 | 15 | 30 | ±100 ppm/°C ±25 ppm/°C | - | - | - | - 33Ω-22Ω | 10Ω-30Ω - |
| RNC10 (0402) | 1/16 | 50 | 100 | ± 50 ppm/°C ±25 ppm/°C ±15 ppm/°C ±10 ppm/°C | - - - 50Ω-15KΩ | 10Ω-121KΩ 10Ω-121KΩ 10Ω-100KΩ 10Ω-100KΩ | 10Ω-121KΩ 10Ω-121KΩ 10Ω-100KΩ 10Ω-100KΩ | 10Ω-121KΩ 10Ω-121KΩ - - | 10Ω-121KΩ - - - |
| RNC16 (0603) | 1/10 | 75 | 150 | ±100 ppm/°C ±50 ppm/°C ±25 ppm/°C ±15 ppm/°C ±10 ppm/°C | - - 1KΩ-47KΩ 1KΩ-47KΩ 50Ω-50KΩ | - 4.7Ω-332KΩ 4.7Ω-332KΩ 10Ω-100KΩ 10Ω-100KΩ | - 5.1Ω-681KΩ 10Ω-681KΩ 10Ω-100KΩ 10Ω-100KΩ | 36Ω-330KΩ 4.7Ω-332KΩ 4.7Ω-332KΩ - | - 10Ω-332KΩ - - |
| RNC20 (0805) | 1/8 | 150 | 300 | ±100 ppm/°C ±50 ppm/°C ±25 ppm/°C ±15 ppm/°C ±10 ppm/°C ±5 ppm/°C | - - 100Ω-100KΩ 100Ω-100KΩ 50Ω-100KΩ 100Ω-22KΩ | - 4.7Ω-1.5MΩ 4.7Ω-1.5MΩ 10Ω-100KΩ 10Ω-100KΩ - | 110Ω-1MΩ 5.1Ω-1.5MΩ 10Ω-1.5MΩ 10Ω-100KΩ 10Ω-100KΩ - | 110Ω-1MΩ 4.7Ω-1.5MΩ 4.7Ω-1.5MΩ - 100Ω-100KΩ - | - 5.1Ω-1.5MΩ 10Ω-100KΩ - - - |
| RNC32 (1206) | 1/4 | 200 | 400 | ±100 ppm/°C ±50 ppm/°C ±25 ppm/°C ±15 ppm/°C ±10 ppm/°C ±5 ppm/°C | - - 100Ω-100KΩ 100Ω-100KΩ 50Ω-200KΩ 100Ω-30KΩ | 10Ω-1MΩ 4.7Ω-1.5MΩ 10Ω-1.5MΩ 10Ω-100KΩ 10Ω-200KΩ - | 10Ω-1MΩ 5.1Ω-1.5MΩ 10Ω-1.5MΩ 10Ω-100KΩ 10Ω-130KΩ - | 10Ω-1MΩ 4.7Ω-1.5MΩ 4.7Ω-1.5MΩ - 100Ω-130KΩ - | - 5.1Ω-1.5MΩ 10Ω-130KΩ - - - |
| RNC33 (1206) | 1/3 | | | ±100 ppm/°C ±50 ppm/°C ±25 ppm/°C ±15 ppm/°C ±10 ppm/°C ±5 ppm/°C | 100Ω-100KΩ 100Ω-100KΩ 50Ω-200KΩ 100Ω-30KΩ | 10Ω-100KΩ 10Ω-100KΩ 10Ω-200KΩ - | 10Ω-100KΩ 10Ω-100KΩ 10Ω-130KΩ - | 100Ω-130KΩ - - - | - - - - |
| RNC50 (1210) | 1/4 | 200 | 400 | ±50 ppm/°C ±25 ppm/°C ±15 ppm/°C ±10 ppm/°C | - 100Ω-100KΩ 100Ω-100KΩ 100Ω-100KΩ | 10Ω-1MΩ 10Ω-2MΩ 10Ω-100KΩ 10Ω-330KΩ | 5.1Ω-1MΩ 10Ω-1MΩ 10Ω-100KΩ 10Ω-240KΩ | 5.1Ω-1MΩ 10Ω-1MΩ - 100Ω-240KΩ | 5.1Ω-1MΩ 10Ω-510Ω - - |
| RNC57 (2010) | 1/2 | 200 | 400 | ±50 ppm/°C ±25 ppm/°C ±15 ppm/°C ±10 ppm/°C | - 100Ω-100KΩ 100Ω-100KΩ 100Ω-100KΩ | 4.7Ω-1MΩ 4.7Ω-1MΩ 10Ω-100KΩ 10Ω-100KΩ | 10Ω-1MΩ 10Ω-1MΩ 10Ω-100KΩ 10Ω-100KΩ | 4.7Ω-1MΩ 4.7Ω-1MΩ - - | 10Ω-1MΩ - - - |
| RNC63 (2512) | 3/4 | 200 | 400 | ±50 ppm/°C ±25 ppm/°C +15 ppm/°C ±10 ppm/°C | - 100Ω-100KΩ 100Ω-100KΩ 100Ω-100KΩ | 4.7Ω-1MΩ 4.7Ω-1MΩ 10Ω-100KΩ 10Ω-100KΩ | 4.7Ω-1MΩ 4.7Ω-1MΩ 10Ω-100KΩ 10Ω-100KΩ | 4.7Ω-1MΩ 4.7Ω-1MΩ - - | 10Ω-1MΩ - - - |

* Lesser of \sqrt{PR} or maximum working voltage

Environmental Characteristics

| Performance | Test Method | Rating |
|-----------------------------------|---|-------------------|
| Temperature Coefficient (by type) | MIL-STD-202F, Method 304, -55°C to +125°C | ±25-100 ppm/°C |
| Thermal Shock | MIL-STD-202F, Method 107, 5 cycles, -65°C to +155°C | ±(0.5% + 0.05Ω) |
| Low Temperature Operation | MIL-R-55342D, Para.4.7.4, One hour at -65°C followed by 45 minutes RCWV | ±(0.5% + 0.05Ω) |
| Short Time Overload | MIL-R-55342D, Para.4.7.5, 2.5 times RCWV for 5 seconds | ±(0.5% + 0.05Ω) |
| High Temperature Exposure | MIL-R-55342D, Para.4.7.6, 125°C for 100 hours | ±(0.5% + 0.05Ω) |
| Resistance to Soldering Heat | MIL-R-55342D, Para.4.7.7, Soldered to test board at 260°C for 10 seconds | ±(0.5% + 0.05Ω) |
| Moisture Resistance | MIL-STD-202F, Method 106, 10 cycles, Total 240 hours | ±(0.5% + 0.05Ω) |
| Life | MIL-STD-202F, Method 108A, 100 hours at 70°C RWV intermittent. | ±(0.5% + 0.05Ω) |
| Solderability | MIL-STD-202F, Method 208, 230°C for 5 seconds | 95% min. coverage |
| Bending Strength | Unit mounted in center of 90mm board length, deflected 5mm in either direction for 10 seconds | ±(0.5% + 0.05Ω) |

Power Derating Curve

