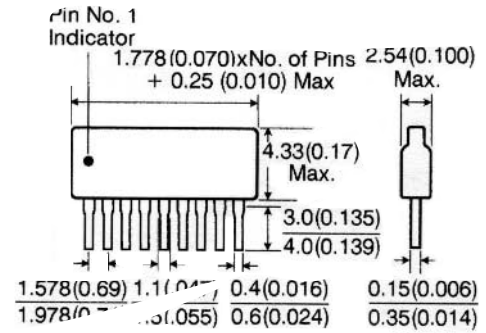




FEATURES

- Wide resistance range: 22 ~1M (10 ~22 by special order)
- Miniature package with minimum installed height of 0.2" (5.08mm)
- Highly stable thick film products.
- Products protected by tough epoxy conformal coating.
- Reduces total assembly cost.
- Mixed value resistance available.
- Super low profile package with close pin placement.

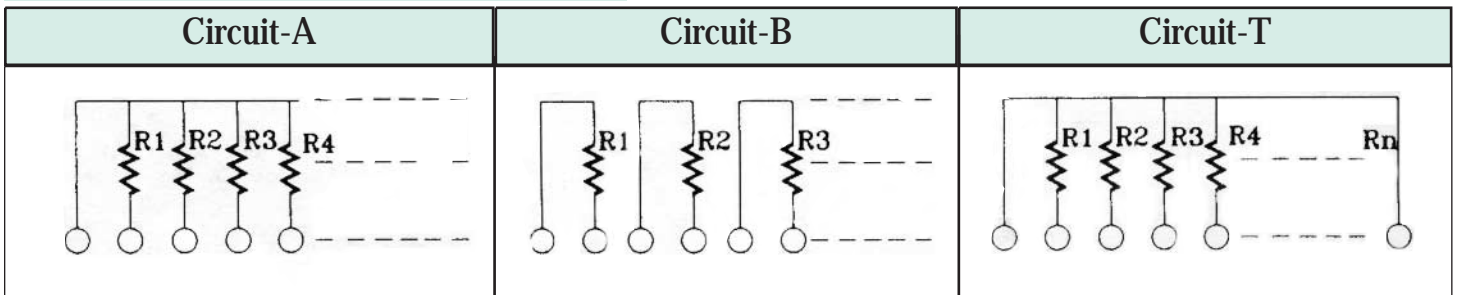


Dimensions in mm(inches)

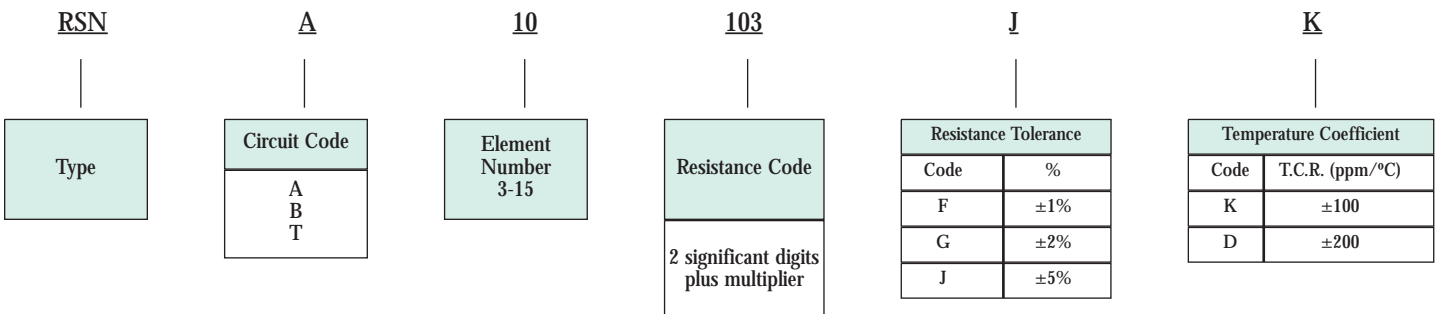
SPECIFICATIONS

| Type | Circuit | Rated Power/Element | Max. Working Voltage | Max. Overload Voltage | Resistance Tolerances & Values | | | Resistance Range | Number of Pins | Number of Elements |
|------|---------|---------------------|----------------------|-----------------------|--------------------------------|-----|--------|------------------|----------------|--------------------|
| | | Watts | Volts | Volts | Code | % | Values | | | |
| RSN | A | 0.100 | 100 | 150 | F | ±1% | E96 | 22-1M | 6-15 | 5-14 |
| | B | 0.125 | | | G | ±2% | E24 | | 6-16 | 3-8 |
| | T | 0.100 | | | J | ±5% | E24 | | 6-14 | 4-12 |

CIRCUIT CONFIGURATIONS

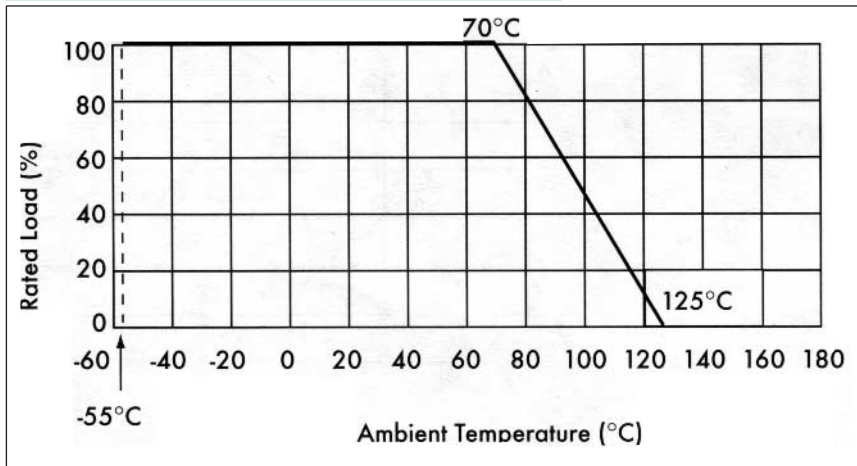


Part Numbering System





DERATING CURVE



ENVIRONMENTAL PERFORMANCE

| Description | Specification Limits | Test Methods |
|------------------------------|------------------------|--------------------|
| Temperature Coefficient | ± 200 ppm/°C max. | MIL-R-83401 4.6.8 |
| Short Time Overload | $\pm(1\%+0.05)$ max. | MIL-R-83401 4.6.10 |
| Resistance to Soldering Heat | $\pm(1\%+0.05)$ max. | MIL-R-83401 4.6.14 |
| Solderability | 95% coverage min. | MIL-R-83401 4.6.6 |
| Terminal Strength | $\pm(1\%+0.05)$ max. | MIL-R-83401 4.6.11 |
| Insulation Resistance | 10,000 M Ω min. | MIL-R-83401 4.6.13 |
| Load Life | $\pm(2\%+0.1)$ max. | MIL-R-83401 4.6.18 |
| Load Life in Humidity | $\pm(2\%+0.1)$ max. | MIL-R-83401 4.6.15 |
| Temperature Cycling | $\pm(2\%+0.05)$ max. | MIL-R-83401 4.6.3 |

MARKING

