

Pro PIN HEADER 1.27mm (0.05") PITCH Components

1.27mm
0.05" Pitch

MATERIAL:

Insulator: 30% Glasses filled in P.B.T. UL-94V-0.
Contact: Brass.
Plated: Full Tin or Gold Plated over Nickel.

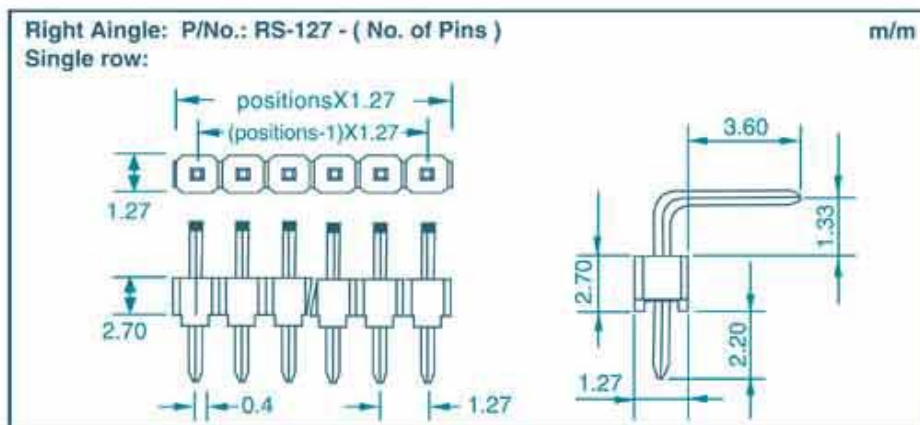
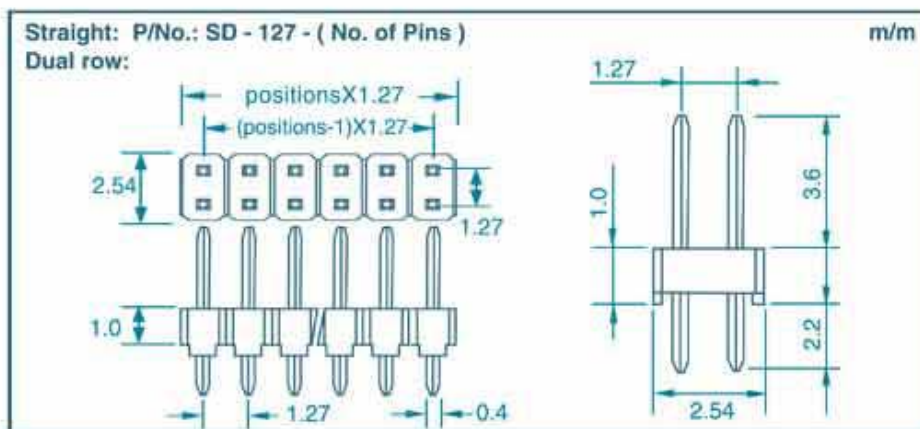
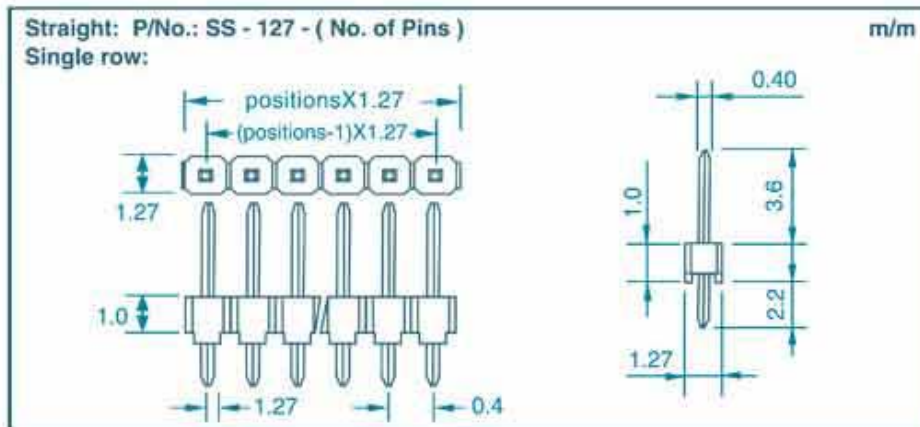
SPECIFICATION:

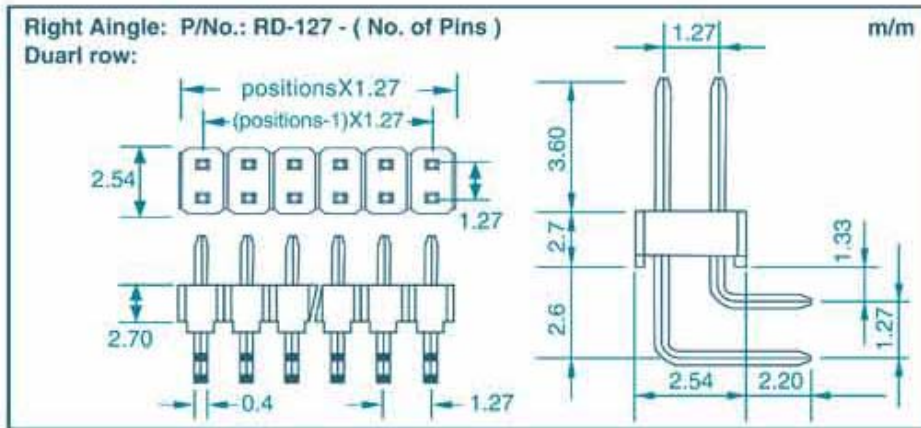
Contact Resistance: $10M\Omega$ Max. at DC 1A.
Insulator Resistance: $500M\Omega$ Min. at 500V.
Current Rating: 1A Dielectric Withstanding.
Voltage Rating: AC 5000 for one minute.
Operating Temperature: $-55^{\circ}C$ to $+105^{\circ}C$.

FEATURES:

- Low Profile Header body helps maximum packing.
- Available with Wrap post tail header
- Available with Straight or Right Angle pins.
- Available with Customer Design and Dual body.
- Pin Header suitable for mating with 1.27mm Pitch Female Header.
- 1.27(0.05")mm pitch used 0.40mm square pins.

PIN HEADER 1.27 mm (0.05") Pitch.





Ordering Information: For example: SS-127-40-T

SS -127- (No. of Pins) - (G or T)

SD -127- (No. of Pins) - (G or T)

RS -127- (No. of Pins) - (G or T)

RD -127- (No. of Pins) - (G or T)

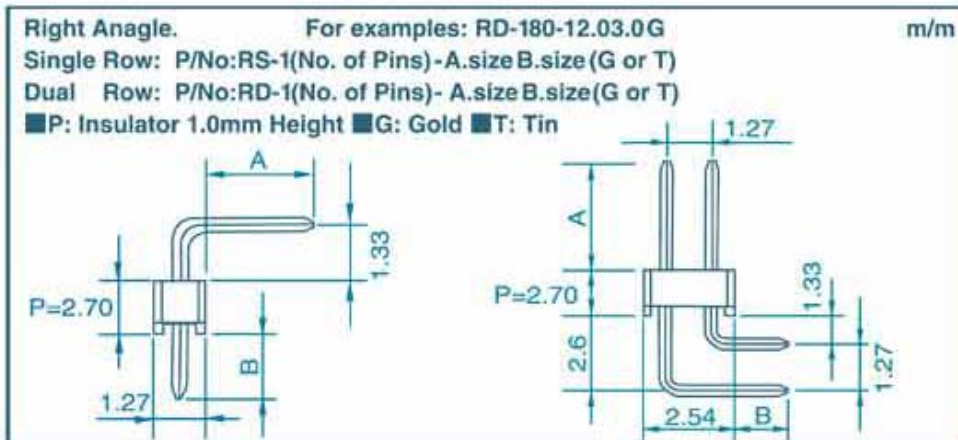
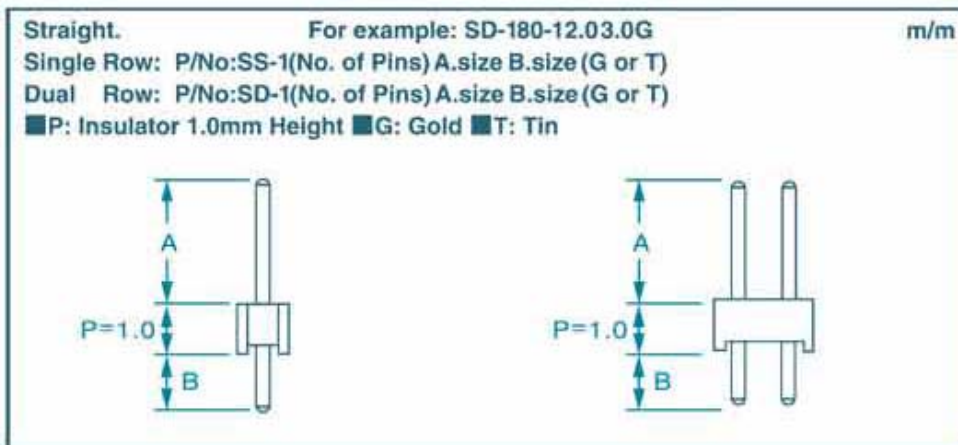
■G: Full Gold Plated

■T: Full Tin Plated.

■SS: Straight, Single row. ■RS: R/A, Single row.

■SD: Straight, Dual row. ■RD: R/A, Dual row.

Special Pins Length: 1.27 mm (0.05") Pitch



Straight, Dual Body (2 Insulators)

Single Row: For example: SS-140-683G
P/No: SS-1(No. of Pins)-A.size B.size C.size (G or T)

Dual Row: For example: SD-180-683G
P/No:SD-1(No. of Pins)- A.size B.size C.size(G or T)

■P: Insulator 1.0mm Height ■G: Gold ■T: Tin m/m

