



### SPECIFICATIONS:

- Contact Rating: DC12V, 50mA
- Contact Resistance: 100mΩ max.
- Operating Force: 200 ± 30gf.
- Travel: 0.25 ± 0.1mm
- Operating Life: 100,000 cycles
- Operating Temperature: -40 to +85°C
- Ultrasonic cleaning is possible after auto-dipping
- Drip-proof, Dust-proof structure

### MATERIALS:

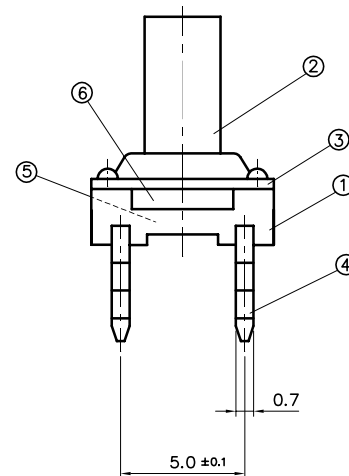
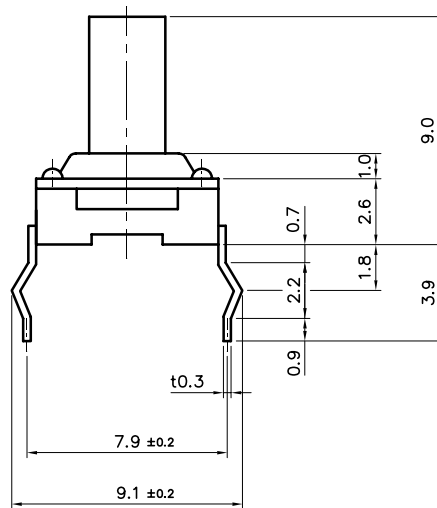
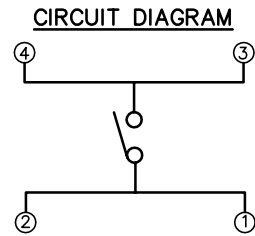
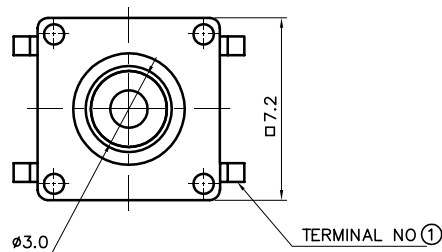
- Case: Nylon 66 - V0
- Stem: Nylon 66 - V0
- Cover: t0.3 C2680R-EH, Sn 3μ
- Terminal: t0.3 C2680R-EH, Ag 0.5μ
- C/Plate: t0.06 C5210R-EH, Ag 0.5μ
- Rubber: Silicon

### SOLDERING / PCB CLEANING:

WATERPROOF SWITCHES and sealed against the following soldering process.

- Fluxing
- Preheating at 85°C
- Wave soldering (PB/SN 60-40) 25°C for 2 seconds
- Cooling to ambient temperature
- Eventual cleaning by brushing on soldered surface

### DIMENSIONS (Units: mm):



### PCB DIMENSION

