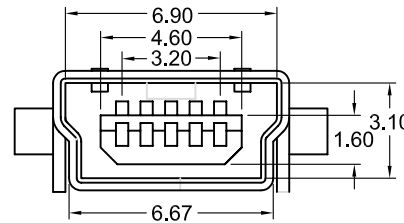
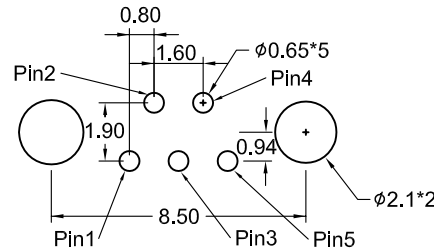


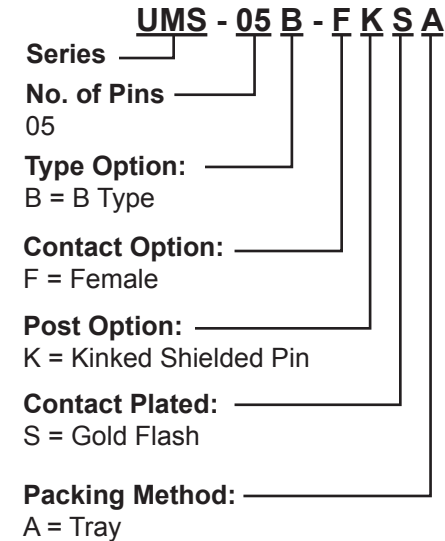
Recommended P.C. Board Hole Layout



Specifications

Current Rating: 1.0A/Contact Terminal
Voltage Rating: 30V DC
Dielectric Withstanding Voltage: 300VAC for 1 min.
Contact Resistance: 50mΩ Max.
Insulation Resistance: 100MΩ Min.
Temperature Range: -55°C to +125°C
Housing: High Temperature Thermoplastic, LCP
Contact: Copper Alloy C5191/C2680
Contact Plating: Plated Gold in Mating Area; Tin on Solder Tails
Shell: Copper Alloy C2680
Shell Plating: Nickel Plated

Part Numbering System



General Tolerance	
X. ± 0.50	X.° ± 5°
.X ± 0.20	.X° ± 2°
.XX ± 0.10	.XX° ± 1°
Units : mm	