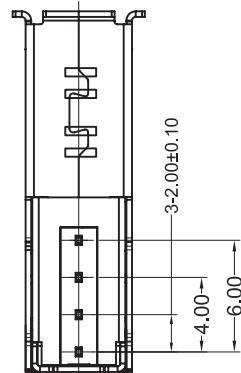
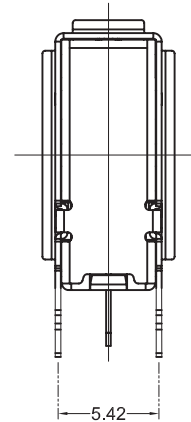
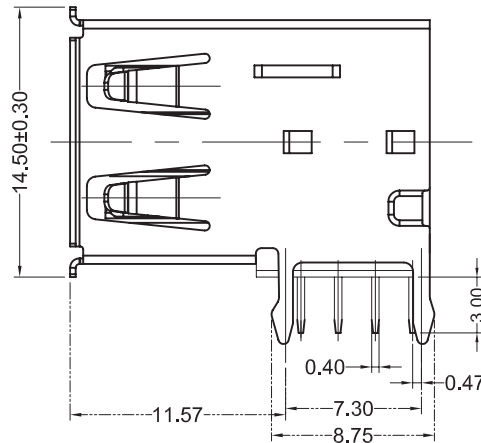
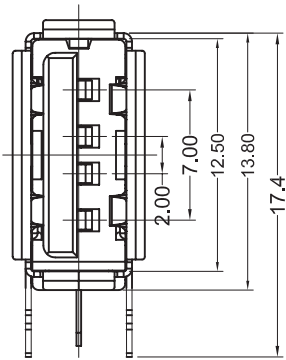
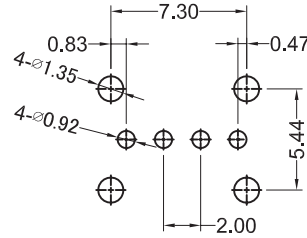


Recommended
P.C.Board Hole Layout



Specifications

Current Rating: 1A Max.
Voltage Rating: 30V AC(rms)
Dielectric Withstanding Voltage: 750V for 1 min.
Contact Resistance: 30mΩ Max.
Insulation Resistance: 1000 MΩ Min.
Mating Force: 3.5 Kgf Max.
Unmating Force: 1.0 Kgf Min.
Temperature Range: -40°C to +105°C
Contacts: Copper Alloy, t=0.25mm
Shell: Copper Alloy, t= 0.30mm, Nickel Plated
Insulator: High Temperature Thermoplastic
with g.f., UL94V-0

Part Numbering System

