

GBU8B Thru GBU8M

High Current Glass Passivated Molding Single-Phase Bridge Rectifier

Reverse Voltage 100 to 1000V Forward Current 8A

FEATURES

- Plastic Package has Underwriters Laboratory Flammability Classification 94V-0
- High current capacity with small package
- Glass passivated chip junctions
- Superior thermal conductivity
- High IFSM



1. Maximum & Thermal Characteristics Ratings at 25°C ambient temperature unless otherwise specified.

Parameter Symbol	Symbol	GBU8B	GBU8D	GBU8G	GBU8J	GBU8K	GBU8M	Unit
Maximum repetitive voltage	VRRM	100	200	400	600	800	1000	V
Maximum RMS Voltage	VRMS	70	140	280	420	560	700	V
Maximum DC Blocking Voltage	VDC	100	200	400	600	800	1000	V
Maximum DC reverse current TA=25 °C	IR	5						μA
at rated DC blocking voltage TA=125°C		500						
Maximum average forward rectified output current at Tc=100°C	Io	8						A
Peak forward surge current 8.3ms single half sine-wave superimposed on rated load	IFSM	175						A
Rating of fusing (t<8.3ms)	I ² t	127						A ² sec
Dielectric strength terminals to case, AC 1 minute Current 1mA	Vdia	2.5						KV
Max instantaneous forward voltage at 4.0A	VF	1.1						V
Operating junction temperature	TJ	-55~150						°C
Maximum thermal on P.C.B. without heat-sink	RθJA	MAX22						°C/W
resistance per leg on Al plate heat-sink	RθJC	MAX2.8						
Storage temperature	Tstg	-55~150						°C

GBU8B Thru GBU8M

2. Ratings and Characteristic Curves ($T_A = 25^\circ\text{C}$ unless otherwise noted)

Fig. 1 Derating Curve

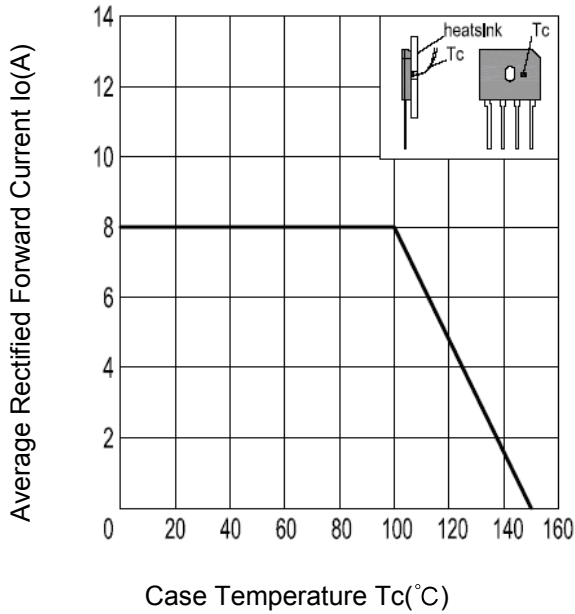


Fig.2 Typical Reverse Characteristics

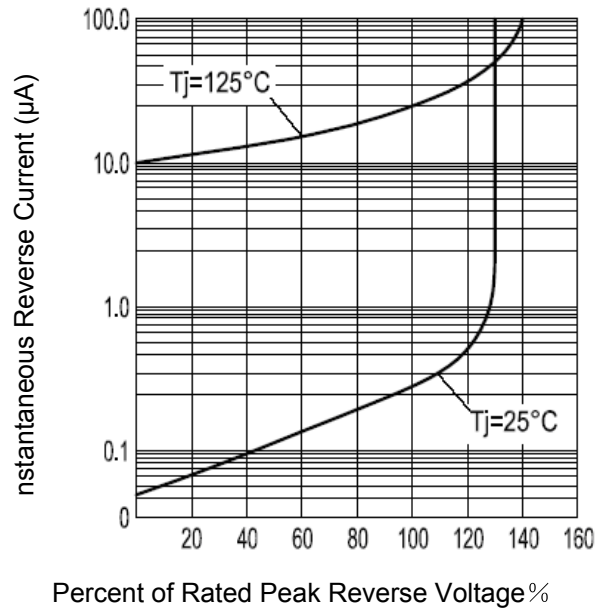


Fig.3 Forward Voltage

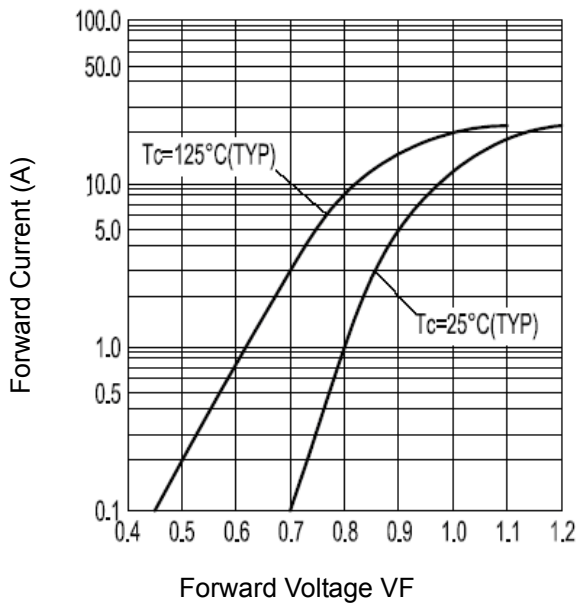
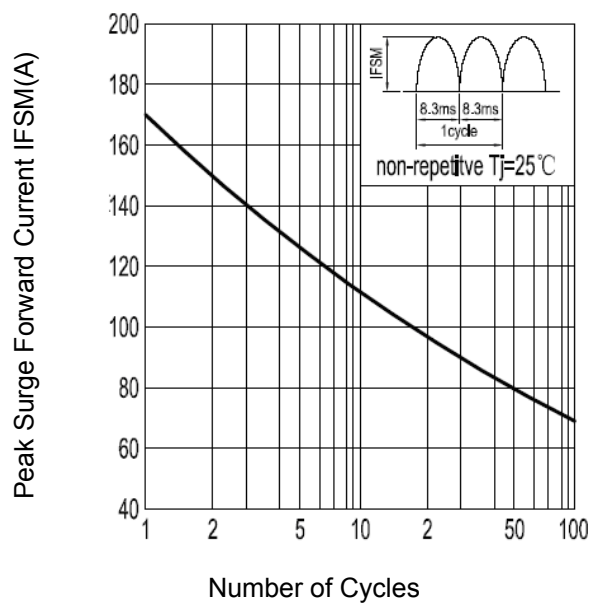
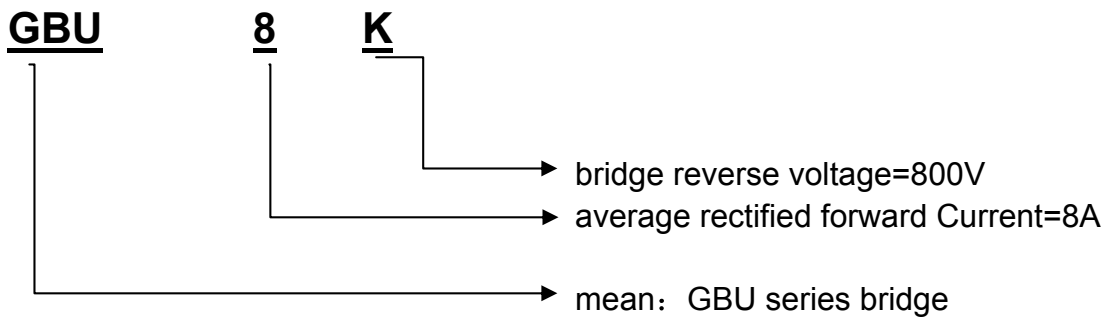
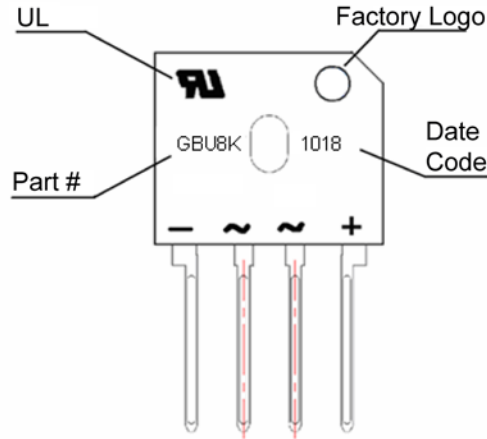


Fig.4 Peak Surge Forward Capability



GBU8B Thru GBU8M

3. Marking Identification



4. Dimension

